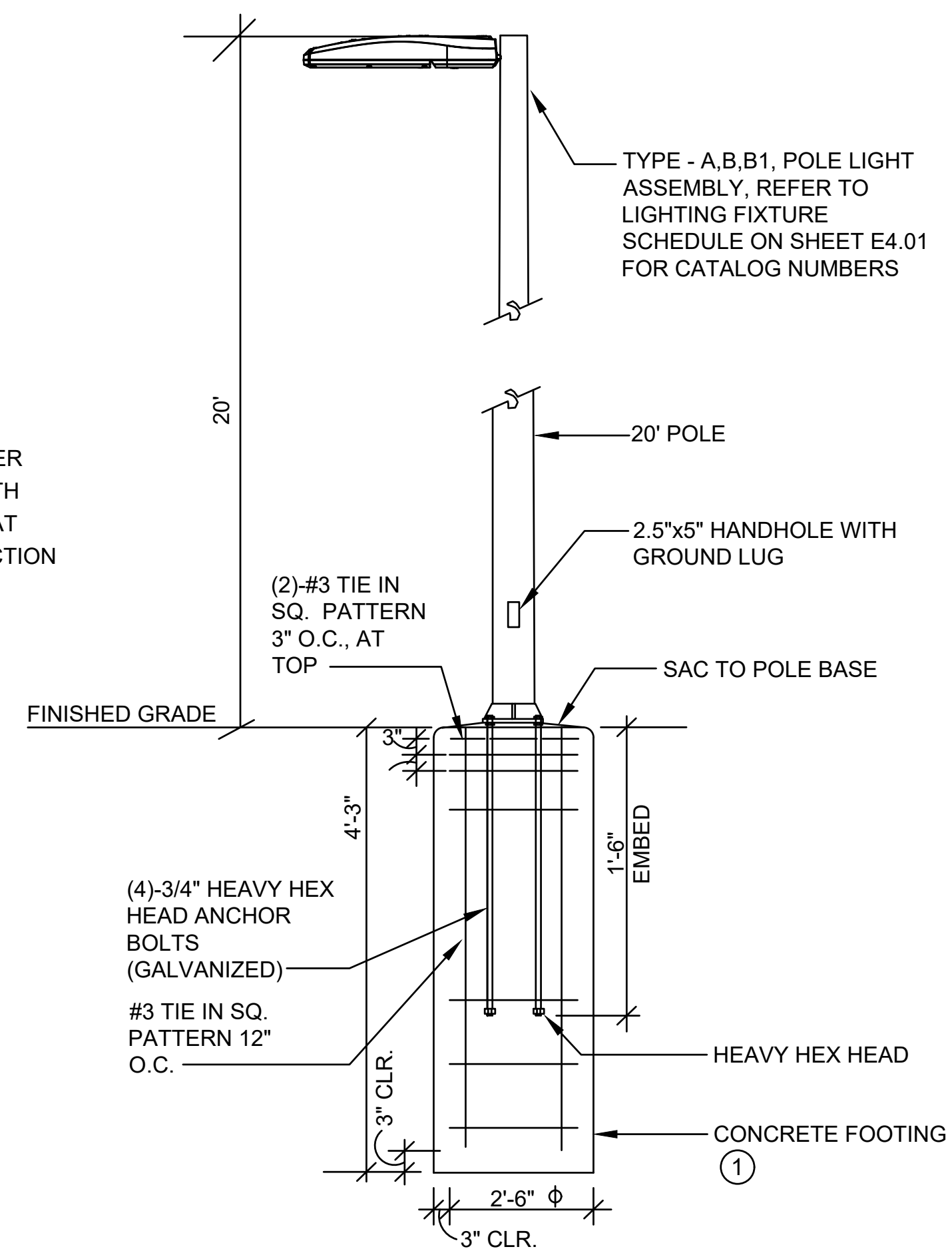


PROVIDE IN BASE BID:

- ① PRIOR TO CONCRETE POUR OF THE FOOTINGS, THE CONTRACTOR SHALL CONTACT THE STRUCTURAL ENGINEER TO PERFORM A FIELD INSPECTION OF THE FOOTINGS DEPTH AND REINFORCING CAGES. PREPARE A DOCUMENT SO THAT THE STRUCTURAL ENGINEER CAN SIGN-OFF AFTER INSPECTION AND PROVIDE A RECORD TO THE CITY AS EVIDENCE.



LIGHT POLE ASSEMBLY DETAIL SCALE NONE 1

| REV. | SYMBOL | DESCRIPTION OF CHANGE | R.C.E. | DATE | P.D.E. | DATE |
|------|--------|-----------------------|--------|------|--------|------|
| | | | | | | |
| | | | | | | |
| | | | | | | |
| | | | | | | |
| | | | | | | |
| | | | | | | |
| | | | | | | |
| | | | | | | |
| | | | | | | |
| | | | | | | |

| | |
|--------------|--|
| DESIGNED BY: | |
| DATE | |
| DRAWN BY: | |
| DATE | |
| CHECKED BY: | |
| DATE | |

PREPARED BY:

BUDLONG & ASSOCIATES, INC.
M-E-P CONSULTING ENGINEERS

REGISTERED ENGINEER

| | |
|----------------------------------|-----------------------|
| REVIEWED FOR PERMIT ISSUANCE BY: | CITY OF THOUSAND OAKS |
| DEVELOPMENT ENGINEER | DATE |
| PLANNING DIVISION | DATE |
| TRAFFIC ENGINEER | DATE |

CITY OF THOUSAND OAKS
PUBLIC WORKS DEPARTMENT

**ELECTRICAL
DETAILS SHEET**

ALEX FIORE TEEN CENTER IMPROVEMENTS
1385 E JANSS RD, THOUSAND OAKS
CA 91362

CITY OF THOUSAND OAKS DWG. NO. _____ **E-005**

DATE REVISED: 7-1-06