

**EQUIPMENT SPECIFICATION SUBMITTAL**

**FOR**

**ALEX FIORE TEEN CENTER IMPROVEMENT  
KITCHEN PROJECT  
CITY OF THOUSAND OAKS, CA.**

FOOD SERVICE DESIGN BY JEAN  
Phone: (661) 444-1762  
Email: jrfsd@aol.com  
www.fsdkitchens.com

5/24/2021

ITEM 01

3 Compartment Sink with left and right drain boards

“REGENCY”

# 600S321824X

- 16 gauge stainless steel construction
- (3) Three tubs, 18”W x 24”L x 14”D
- (2) Drain boards, 24” W
- Stainless steel legs
- Stainless steel adjustable bullet feet
- Stainless steel cross bracing
- Lever waste drains
- N.S.F. Construction

Plumbing: Manifold drain line and run to floor sink by Plumbing Contractor

**16 GAUGE STAINLESS STEEL  
THREE COMPARTMENT SINK  
WITH TWO DRAINBOARDS**

ITEM #: 01 QUANTITY: 1

PROJECT: \_\_\_\_\_

APPROVAL: \_\_\_\_\_

DATE: \_\_\_\_\_



**FEATURES**

- Made of high-quality 16 gauge, type 304 stainless steel
- Galvanized 1 $\frac{5}{8}$ " steel legs with sockets
- Adjustable bullet feet for added stability
- Faucet holes pre-punched on 8" centers (faucet sold separately)
- 1 $\frac{1}{2}$ " IPS drain connection
- Rolled front and side edges to contain splashes and overflows

**SPECIFICATIONS**

ITEM	LENGTH	DEPTH	HEIGHT (Total)	HEIGHT (Work)	BOWL DEPTH	BOWL L to R	BOWL F to B	NUMBER OF DRAINBOARDS	SIDE	NET WEIGHT
600S321824X ✓	106"	29 $\frac{1}{8}$ "	43"	36 $\frac{1}{2}$ "	14"	18"	24"	2	Both	131.40 LB.



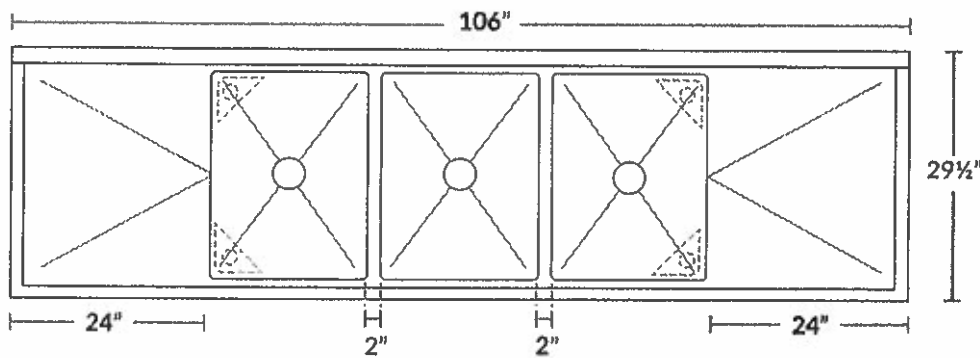
2/2020

**REGENCYTABLESANDSINKS.COM**

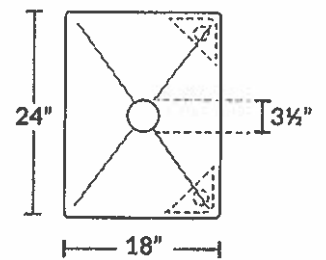
**16 GAUGE STAINLESS STEEL  
THREE COMPARTMENT SINK  
WITH TWO DRAINBOARDS**



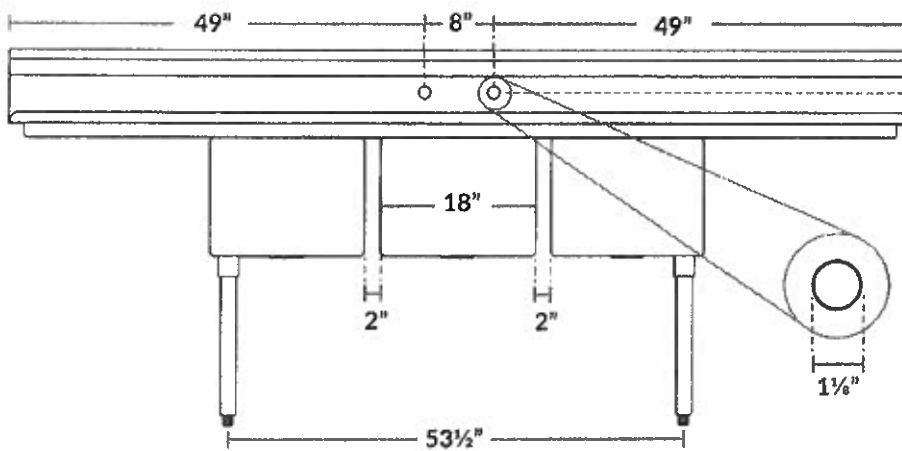
**TOP**



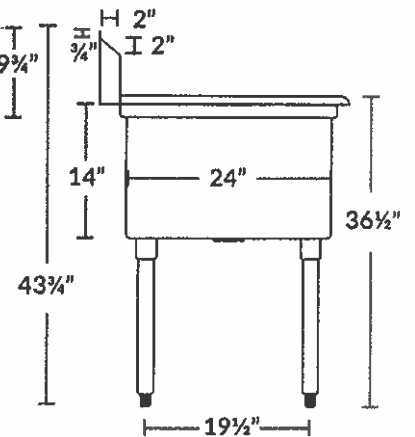
**BOWL**



**FRONT**



**SIDE**



ITEM 02

PRE-RINSE, SPRING STYLE, BACKSPLASH MOUNT,  
ULTRA SPRAY VALVE

“FISHER MFG”  
# 64793

- Ultra Spray Valve: 1.15GPM @ 60 PSI
- 8” o.c. back splash mount
- 36”L. Hose
- **Option: Add-on faucet (16”) circle**

Plumbing: ½” hot and cold water connections.

#02

SPEC: PRHB-SP-8BZZLL

APPLICATION:

PRODUCT NAME:  
PRE-RINSE, SPRING STYLE,  
BACKSPLASH MOUNT

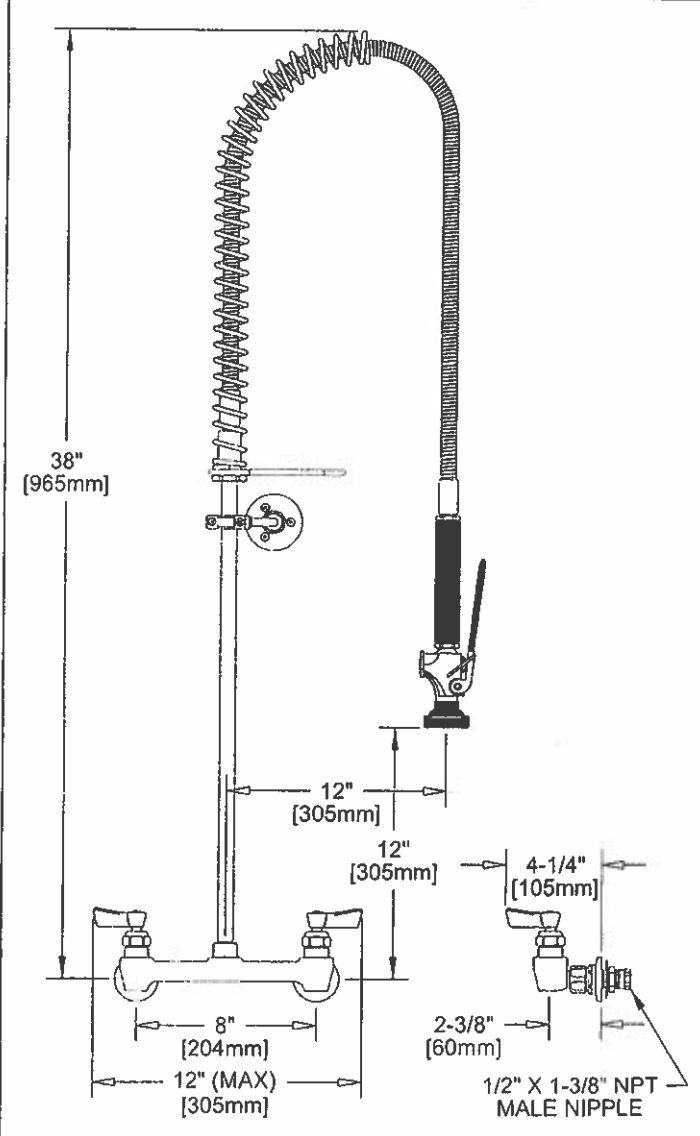
JOB NAME:

SPECIAL CONFIGURATION  
■ 64793 CHECK BASE MODEL AND OPTIONS

QUANTITY: (1) ONE

ITEM NO. #02

MODEL:  
■ 13390 ULTRA SPRAY VALVE, WALL BRACKET  
□ 13366 ULTRA SPRAY VALVE, NO WALL BRACKET



- OPTIONS OR MODIFICATIONS:
- SUPPLY LINES (24" OR 36") CIRCLE LENGTH
  - ADD-ON FAUCET (6", 8", 10", 12", 14", 16") CIRCLE
  - IN-LINE DUAL CHECK VALVE
  - BRUSH
  - ELBOWS
  - VANDAL RESISTANT KIT
  - HANDLES (CROSS OR WRIST) CIRCLE STYLE
  - OTHER EZ INSTALL ADAPTERS

FEATURES

- CONTROL VALVE
- \* 8" BACKSPLASH MOUNT
  - \* INTERNAL SPRING LOADED CHECK VALVES
  - \* SWIVELLING SEAT DISKS
  - \* HOT SIDE STEM - RIGHT HAND
  - \* COLD SIDE STEM - LEFT HAND
  - \* STAINLESS STEEL SEATS
  - \* STAINLESS STEEL SEAT SCREWS
  - \* STAINLESS STEEL HANDLE SCREWS
  - \* 1/2" SLIP JOINT KIT

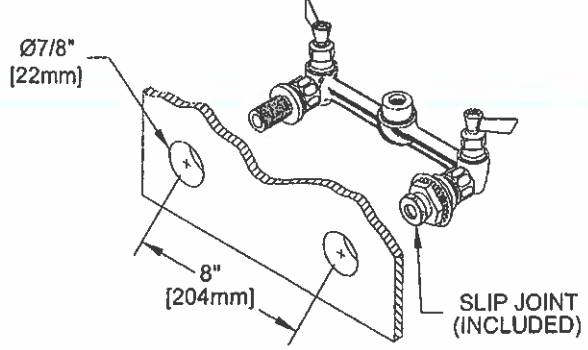
- HOSE
- \* 36" LENGTH
  - \* STAINLESS STEEL END FITTINGS
  - \* STAINLESS STEEL EXTERNAL JACKET
  - \* 3 PLY FIBER REINFORCED INTERNAL RUBBER HOSE
  - \* REPAIRABLE IN FIELD WITH SIMPLE TOOLS

- ULTRA SPRAY VALVE
- \* LOWEST ENERGY USER - 1.15 GPM @ 60 PSI
  - \* CLEANS FASTER - TEST PROVEN
  - \* ENGINEERED TO LAST - NO 'O' RINGS TO LEAK
  - \* INTERCHANGEABLE - FITS ALL BRANDS

- SYSTEM LIMITS
- \* TEMP: 40°F MIN. TO 140°F MAX.
  - \* PRESSURE: 200 PSI MAX. STATIC

- SHIPPING WEIGHT
- \* 12.0 LBS

ROUGH-IN:



# FISHER

FISHER MANUFACTURING COMPANY  
TOLL FREE: 800-421-6162 - FAX: 800-832-8238  
information@fisher-mfg.com - www.fisher-mfg.com

EPAct 2005 Compliant



ANSI/A112.18.1M

ITEM 03

WALL CABINET W/ SLOPE TOP  
(1) ONE EA.

CUSTOM MILLWORK

- As specified by Architect / Interior Design
- Doors to be lockable, keyed alike
- Adjustable intermediate shelving
- (1) One cabinet to be hinged left

ITEM 04

WASTE CONTAINER "SLIM JIM"  
(2) TWO EA.  
"RUBBERMAID"  
# FG354060GREY

- 23 Gallon container
- Color: Grey (other colors available)

Container dimensions: 22"W x 11"D x 30"H





# Slim Jim

The Slim Jim® container delivers the durability needed for commercial environments combined with brand new innovation to increase worker productivity. New product features and accessories deliver the most efficient solution for collection, transportation, and disposal of multi-stream waste and recyclables.

## Features and Benefits:

- Venting channels make removing liners up to 80% easier, improving productivity and reducing the risk of worker injury.
- Four bag cinches secure liners around the rim of the container and allow for quick, knot-free liner changes.
- Handles at the base and rim of the container improve grip and control while lifting and emptying full containers.
- Rim with rib-strengthened design increases strength and resists crushing.
- Build a recycling station with a variety of dolly and lid options to meet any facility need.

## COLORS AVAILABLE

Blue, Green, Black, Beige, Brown, Gray, Yellow\*, Red\*

\*23-gallon only

## Material Composition:

Injection molded with a high-quality resin blend.

## Accessories:

### STAINLESS STEEL DOLLIES

- Slim Jim® Single Dolly
- Slim Jim® Double Dolly
- Slim Jim® Triple Dolly
- Slim Jim® Quadruple Dolly

### RESIN DOLLY

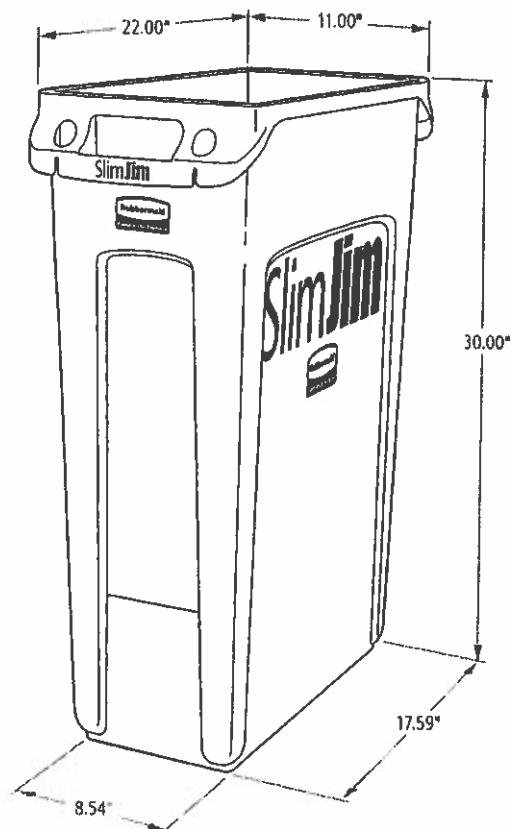
- Slim Jim® Trainable Dolly

### LIDS

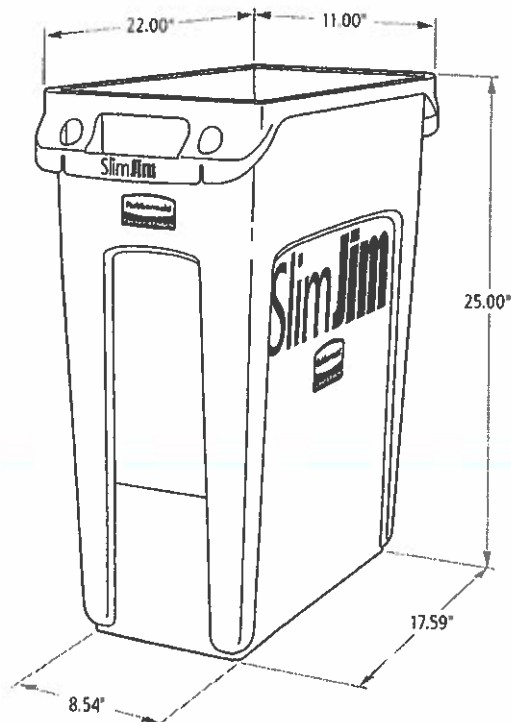
- Bottles and Cans Lid
- Paper Lid
- Mixed Recycling Lid
- Hinged Lid
- Swing Lid

#04

# SLIM JIM® CONTAINERS



23-Gallon Slim Jim® Container



16-Gallon Slim Jim® Container

# SLIM JIM® CONTAINERS

#04

SKU #	DESCRIPTION	COLOR	CAPACITY		LENGTH		WIDTH		HEIGHT		PACK SIZE
			GAL	L	IN	CM	IN	CM	IN	CM	
1971258	SLIM JIM® CONTAINER	GRAY	16	61	22"	55.88	11"	27.94	25"	63.50	4
1955959	SLIM JIM® CONTAINER	BLACK	16	61	22"	55.88	11"	27.94	25"	63.50	4
1971259	SLIM JIM® CONTAINER	BEIGE	16	61	22"	55.88	11"	27.94	25"	63.50	4
1956181	SLIM JIM® CONTAINER	BROWN	16	61	22"	55.88	11"	27.94	25"	63.50	4
1971257	SLIM JIM® CONTAINER	BLUE	16	61	22"	55.88	11"	27.94	25"	63.50	4
1955960	SLIM JIM® CONTAINER	GREEN	16	61	22"	55.88	11"	27.94	25"	63.50	4
FG354060GRAY	SLIM JIM® CONTAINER	GRAY	23	87	22"	55.88	11"	27.94	30"	76.20	4
FG354060BLA	SLIM JIM® CONTAINER	BLACK	23	87	22"	55.88	11"	27.94	30"	76.20	4
FG354060BEIG	SLIM JIM® CONTAINER	BEIGE	23	87	22"	55.88	11"	27.94	30"	76.20	4
1956187	SLIM JIM® CONTAINER	BROWN	23	87	22"	55.88	11"	27.94	30"	76.20	4
1956185	SLIM JIM® CONTAINER	BLUE	23	87	22"	55.88	11"	27.94	30"	76.20	4
1956186	SLIM JIM® CONTAINER	GREEN	23	87	22"	55.88	11"	27.94	30"	76.20	4
1956188	SLIM JIM® CONTAINER	YELLOW	23	87	22"	55.88	11"	27.94	30"	76.20	4
1956189	SLIM JIM® CONTAINER	RED	23	87	22"	55.88	11"	27.94	30"	76.20	4
FG354007BLU	SLIM JIM® CONTAINER	BLUE (RECYCLING)	23	87	22"	55.88	11"	27.94	30"	76.20	4
FG354007GRN	SLIM JIM® CONTAINER	GREEN (RECYCLING)	23	87	22"	55.88	11"	27.94	30"	76.20	4



ITEM 05

POT/PAN DRY WIRE SHELVING  
NSF GREEN EPOXY

“REGENCY”

# 460EG2448 (WIRE SHELF)

# 460EPG74 (POSTS)

- (4) Four Green Epoxy coated zinc plated wire shelves
- (4) 74” Green Epoxy coated zinc plated posts
- Adjustable foot
- NSF Listed

Dimensions: 48” W x 24” D x 1” each shelf

Weight load capacity 600 pounds each shelf

**REGENCY**  
LEVEL 2000

Space Solutions

# 05

## REGENCY NSF GREEN EPOXY WIRE SHELVING

Regency Space Solutions is your source for quality, affordable wire shelving. Offering a large selection of NSF Listed wire shelves and posts, Regency Space Solutions gives you the freedom to create the perfect shelving unit at the perfect price.

### *Green Epoxy-Coated Zinc Plated Wire Shelving*

Green epoxy-coated zinc plated wire shelving is ideal for moist and humid environments that would otherwise lead to rapid corrosion of the metal surface. It's suitable for use in all environments, including:

- o Walk-in Coolers
- o Dry storage
- o Moist storage
- o Warewashing areas

### *Quick Assembly*

Regency Space Solutions' NSF Listed wire shelving is easy to assemble using split sleeves. Simply snap two split sleeves around each wire post to keep shelves level every time. Use the incrementally notched lines to help you install a level shelf. Each wire shelf comes complete with (4) pairs of split sleeves (eight total split sleeves).

### *Air Flow*

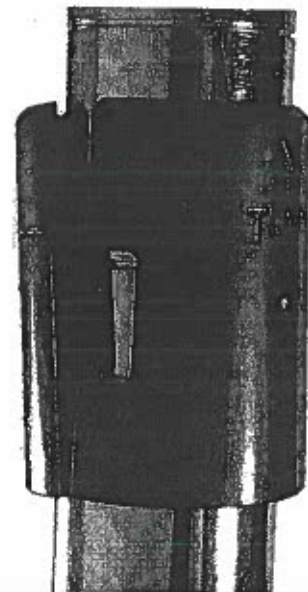
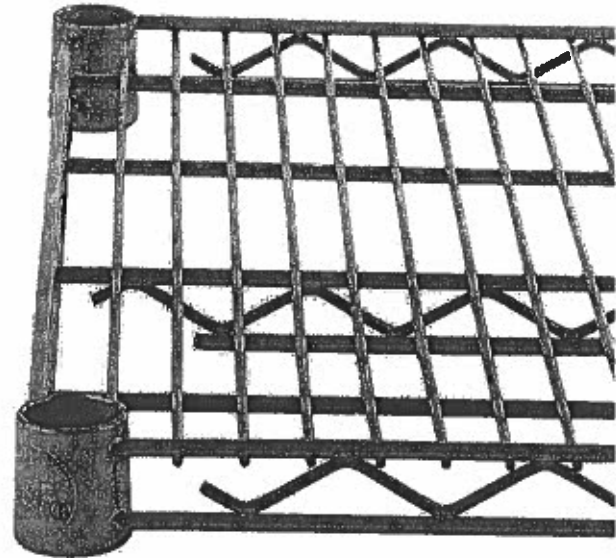
Wire shelving offers unparalleled air flow between and around products thanks to its wire design.

### *Versatility*

Regency Space Solutions' wire shelving offers the rigidity of solid metal with the adjustability of plastic. No tools or hardware required. Simply move the split sleeves up or down the posts for quick, efficient change.

### *Weight Capacity*

- o Each shelf up to 48" in length: 600 lbs.
- o Longer shelves above 54" in length: 450 lbs.



**NSF.**

## Specifications

- o Zinc plated wire with green epoxy coating
- o NSF Listed

REGENCY  
Space Solutions

#05

## REGENCY NSF GREEN EPOXY WIRE SHELVING

Item #	Width x Length (in.)	Weight
460EG1424	14 x 24	5.40 lbs.
460EG1430	14 x 30	6.39 lbs.
460EG1436	14 x 36	7.50 lbs.
460EG1442	14 x 42	8.49 lbs.
460EG1448	14 x 48	9.48 lbs.
460EG1460	14 x 60	12.24 lbs.
460EG1472	14 x 72	14.11 lbs.
460EG1824	18 x 24	6.06 lbs.
460EG1830	18 x 30	7.17 lbs.
460EG1836	18 x 36	8.27 lbs.
460EG1842	18 x 42	9.37 lbs.
460EG1848	18 x 48	10.58 lbs.
460EG1854	18 x 54	12.35 lbs.
460EG1860	18 x 60	13.45 lbs.
460EG1872	18 x 72	15.87 lbs.

Item #	Width x Length (in.)	Weight
460EG2130	21 x 30	7.72 lbs.
460EG2136	21 x 36	9.04 lbs.
460EG2142	21 x 42	10.14 lbs.
460EG2148	21 x 48	11.35 lbs.
460EG2154	21 x 54	12.90 lbs.
460EG2160	21 x 60	14.22 lbs.
460EG2172	21 x 72	18.74 lbs.
460EG2424	24 x 24	7.61 lbs.
460EG2430	24 x 30	8.93 lbs.
460EG2436	24 x 36	10.36 lbs.
460EG2442	24 x 42	11.79 lbs.
460EG2448	✓(4) 24 x 48 ✓	12.35 lbs.
460EG2454	24 x 54	15.21 lbs.
460EG2460	24 x 60	17.86 lbs.
460EG2472	24 x 72	21.83 lbs.

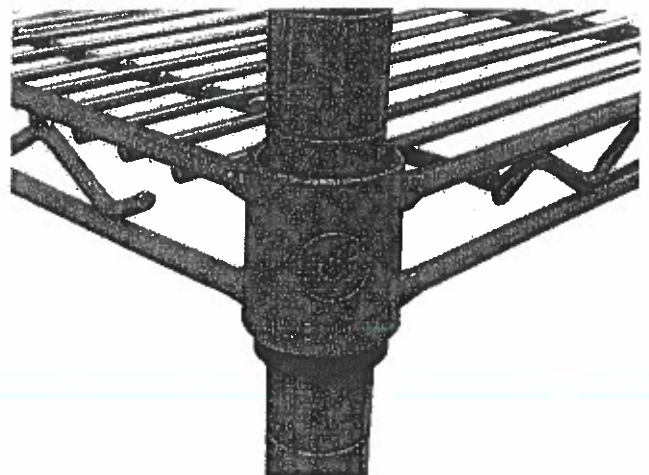
## REGENCY NSF GREEN EPOXY POSTS

Includes Feet:

Item #	Length (in.)	Weight
460EGP14	14	0.80 lbs.
460EGP34	34	1.40 lbs.
460EGP64	64	2.39 lbs.
460EGP74	✓(4) 74 ✓	2.63 lbs.
460EGP86	86	3.10 lbs.

For Use with Casters:

Item #	Length (in.)	Weight
460EGPC8	8	0.61 lbs.
460EGPC14	14	0.80 lbs.
460EGPC34	34	1.40 lbs.
460EGPC64	64	2.39 lbs.
460EGPC74	74	2.63 lbs.
460EGPC86	86	3.10 lbs.



ITEM 06

CHROME FINISH – WIRE RACK SHELVING  
DRY STORAGE

LOT

REGENCY Tables & Sinks

#460EC2448 (4) Four Shelves

#460EC2436 (4) Four Shelves

#460ECP74 (8) Eight Posts

#460EC1836 (2) Two Shelves

#460ECP34 (4) Four Posts

- NSF Listed

**REGENCY**  
Commercial

Space Solutions

#06

## REGENCY NSF CHROME WIRE SHELVING

Regency Space Solutions is your source for quality, affordable wire shelving. Offering a large selection of NSF Listed wire shelves and posts, Regency Space Solutions gives you the freedom to create the perfect shelving unit at the perfect price.

### Chrome Plated Wire Shelving

Chrome plated wire shelving is ideal for use in areas in which moisture is at a minimum, including:

- o Dry storage
- o Garage storage
- o Personal storage
- o Heated environments
- o Warehouse use
- o Retail

24 X 48 X 74" - 4 TIER KIT

24 X 36 X 74" - 4 TIER KIT

18 X 36 X 34" - 2 TIER KIT



### Quick Assembly

Regency Space Solutions' NSF Listed wire shelving is easy to assemble using split sleeves. Simply snap two split sleeves around each wire post to keep shelves level every time. Use the incrementally notched lines to help you install a level shelf. Each wire shelf comes complete with (4) pairs of split sleeves (eight total split sleeves).

### Air Flow

Wire shelving offers unparalleled air flow between and around products thanks to its wire design.

### Versatility

Regency Space Solutions' wire shelving offers the rigidity of solid metal with the adjustability of plastic. No tools or hardware required. Simply move the split sleeves up or down the posts for quick, efficient change.

### Weight Capacity

- o Each shelf up to 48" in length: 600 lbs.
- o Longer shelves above 54" in length: 450 lbs.



# Shelving

**REGENCY**  
Space Solutions

#000

## Wire Shelves

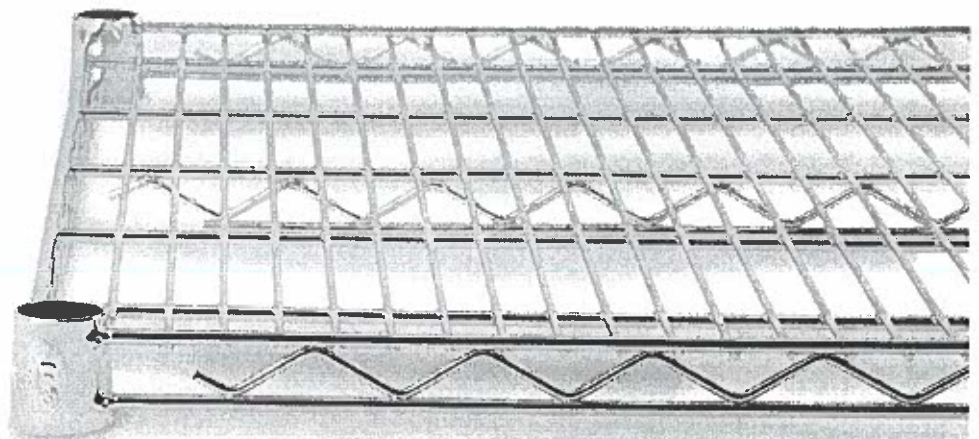
These chrome wire shelves are for use only in dry storage and heated environments. They're made of a durable, chrome plated metal, with a clear epoxy coating.

When combined with additional shelves, posts, and accessories (sold separately), these Regency epoxy-coated chrome wire shelves are capable of holding up to 600 pounds of evenly distributed weight.

- May be used with Regency posts, casters, and handles.
- Chrome plated wire with clear epoxy coating
- NSF Listed

Item #	Width x Length (in.)	Weight
460EC1424	14 x 24	5.40 lbs.
460EC1430	14 x 30	6.39 lbs.
460EC1436	14 x 36	7.50 lbs.
460EC1442	14 x 42	8.49 lbs.
460EC1448	14 x 48	9.48 lbs.
460EC1454	14 x 54	11.13 lbs.
460EC1460	14 x 60	12.24 lbs.
460EC1472	14 x 72	14.11 lbs.
460EC1824	18 x 24	6.06 lbs.
460EC1830	18 x 30	7.17 lbs.
460EC1836	✓ 18 x 36 (2)	8.27 lbs.
460EC1842	18 x 42	9.37 lbs.
460EC1848	18 x 48	10.58 lbs.
460EC1854	18 x 54	12.35 lbs.
460EC1860	18 x 60	13.45 lbs.
460EC1872	18 x 72	15.87 lbs.

Item #	Width x Length (in.)	Weight
460EC2124	21 x 24	6.50 lbs.
460EC2130	21 x 30	7.72 lbs.
460EC2136	21 x 36	9.04 lbs.
460EC2142	21 x 42	10.14 lbs.
460EC2148	21 x 48	11.35 lbs.
460EC2154	21 x 54	12.90 lbs.
460EC2160	21 x 60	14.22 lbs.
460EC2172	21 x 72	18.74 lbs.
460EC2424	24 x 24	7.61 lbs.
460EC2430	24 x 30	8.93 lbs.
460EC2436	✓ 24 x 36 (4)	10.36 lbs.
460EC2442	24 x 42	11.79 lbs.
460EC2448	✓ 24 x 48 (4)	12.35 lbs.
460EC2454	24 x 54	15.21 lbs.
460EC2460	24 x 60	17.86 lbs.
460EC2472	24 x 72	21.83 lbs.





## Posts

REGENCY  
Space Solutions

#06

### Chrome Posts

These chrome shelving posts ship with an attached leveling foot that easily adjusts to accommodate uneven surfaces. Each post is for use only in dry storage and heated environments. It's made of a durable, chrome plated metal with a clear epoxy coating.

- Chrome plated wire with clear epoxy coating
- NSF Listed

### Includes Feet:

Item #	Length (in.)	Weight
460ECP8	8	0.61 lbs.
460ECP14	14	0.80 lbs.
460ECP34	(4) 34	1.40 lbs.
460ECP64	64	2.39 lbs.
460ECP74	(8) 74	2.63 lbs.
460ECP86	86	3.10 lbs.

### For Use with Casters:

Item #	Length (in.)	Weight
460ECPC8	8	0.61 lbs.
460ECPC14	14	0.80 lbs.
460ECPC34	34	1.40 lbs.
460ECPC64	64	2.39 lbs.
460ECPC74	74	2.63 lbs.
460ECPC86	86	3.10 lbs.

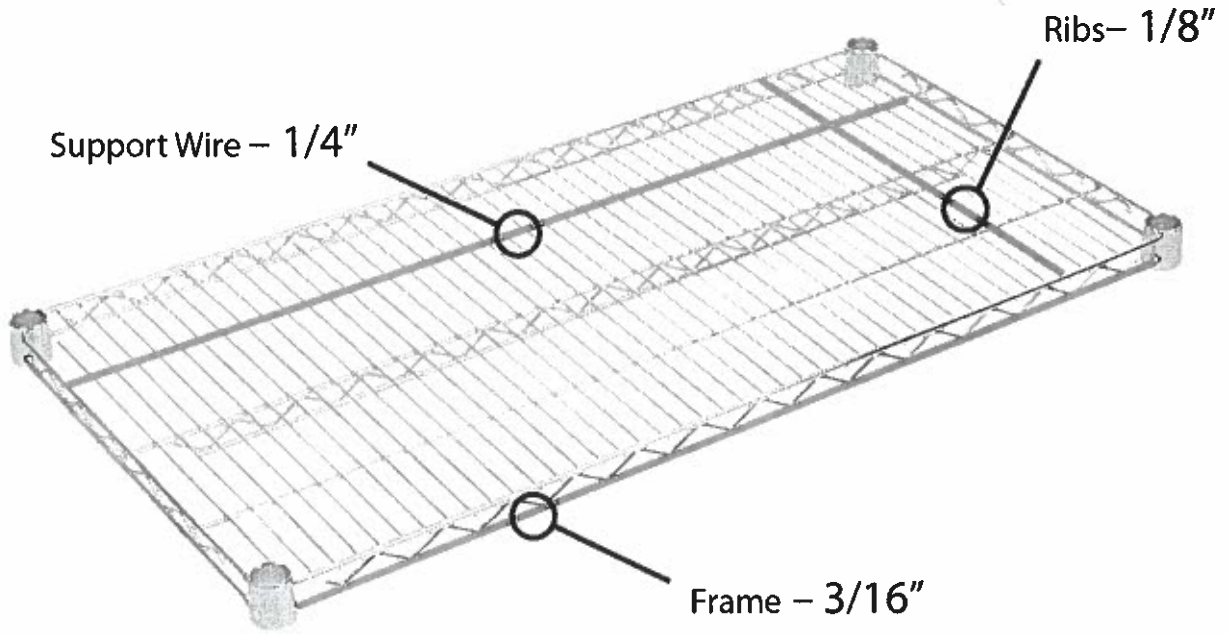


# Shelving



Wire Diameter

#106



ITEM 07

PREP TABLE W/ SINK (on right)

“REGENCY”  
# 600ST3048RT

- 16 GA. Type 304 stainless steel top
- 18 GA. Type 430 under shelf and channels
- Stainless steel legs and adjustable bullet feet
- 5”H. Back splash
- 16” x 20” x 12” Sink
- Deck mount faucet included
- 3 ½” basket waste drain included
- NSF listed
- **Custom Splash Guard to be 16 GA. Type 304 stainless steel, 28”W x 12”H. See Sheet K-8, Section “A”.**

Electrical: Duplex Convenience Outlet, wall mount @ +48”  
A.F.F.

Plumbing: 1/2" HW, 1/2" CW, Indirect waste run to floor sink  
by Plumbing Contractor

Dimensions: 48” W x 30” D x 35 1/2" H, 5” H. Back splash

STAINLESS STEEL  
**WORK TABLE**  
 WITH SINK & UNDERSHELF

ITEM #: 07 QUANTITY: 1

PROJECT: \_\_\_\_\_

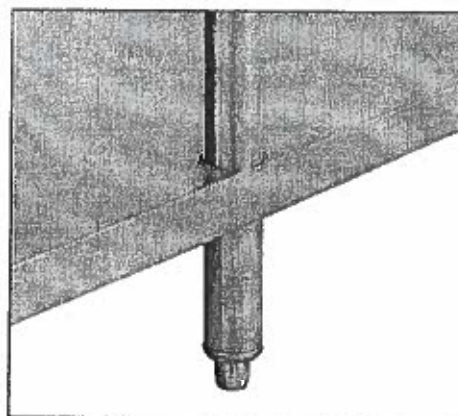
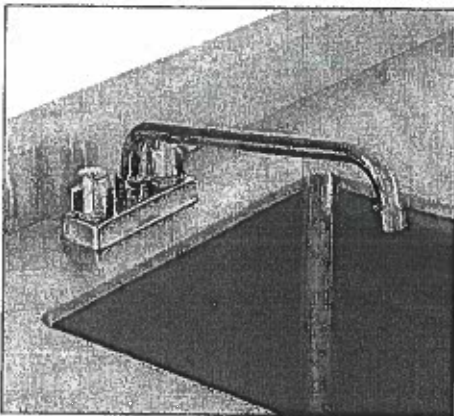
APPROVAL: \_\_\_\_\_

DATE: \_\_\_\_\_



**FEATURES**

- 16-gauge type 304 stainless steel top offers greater durability and corrosion-resistance than type 430
- 18 gauge type 430 stainless steel undershelf and hat channels
- Features a 12" deep stainless steel sink with a deck mounted faucet
- Convenient 5" backsplash protects posterior wall
- Stainless steel legs and sockets for maximum support
- Adjustable bullet feet



**SPECIFICATIONS**

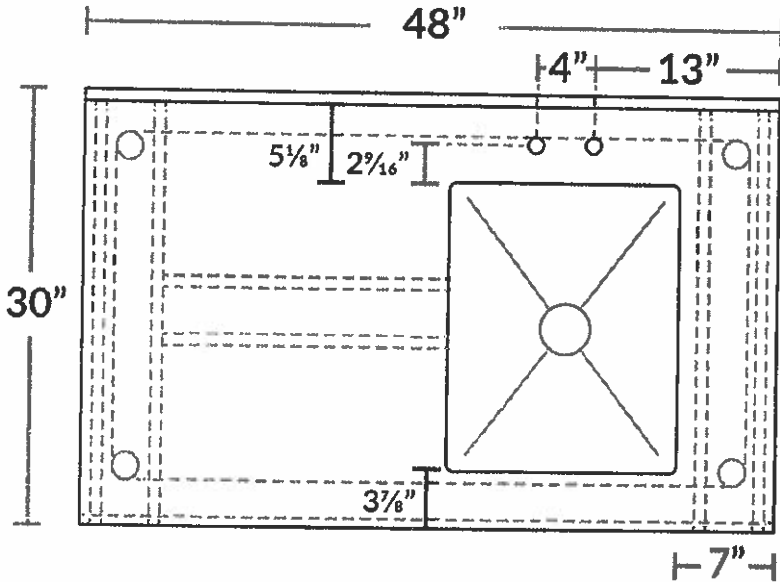
ITEM	LENGTH	WIDTH	WORK HEIGHT	TOTAL HEIGHT	BACKSPLASH HEIGHT	BOWL DEPTH	BOWL (F TO B)	BOWL (L TO R)	SINK SIDE
600ST3048RT	48"	30"	35½"	40½"	5"	12"	20"	16"	Right

02/2019

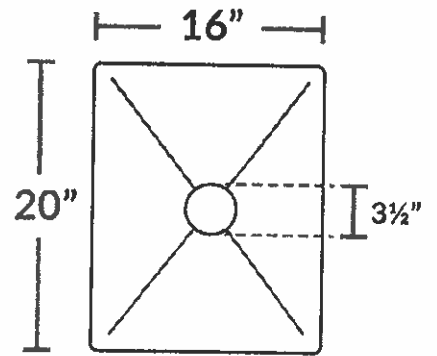
STAINLESS STEEL  
**WORK TABLE**  
 WITH SINK & UNDERSHELF



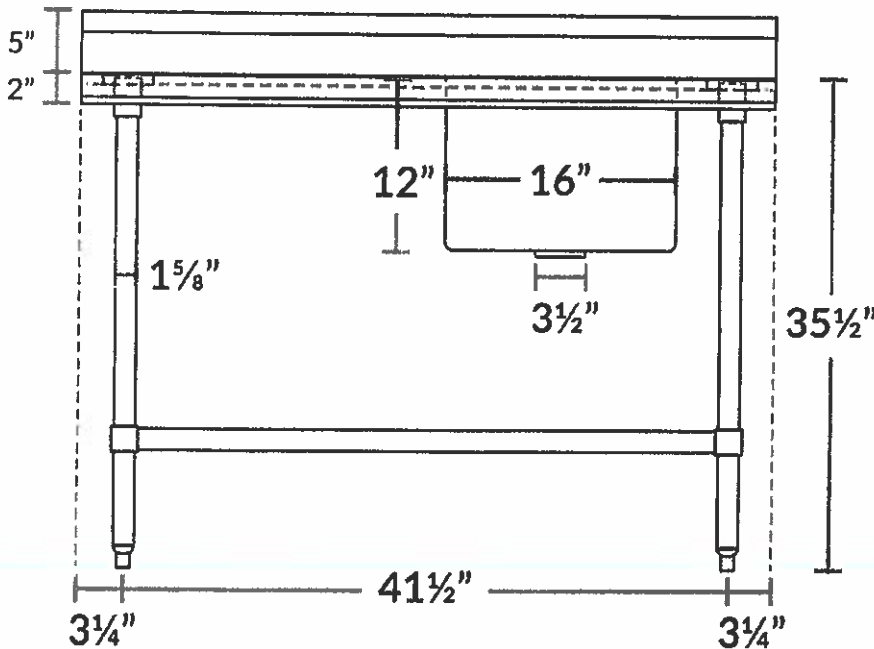
**TOP**



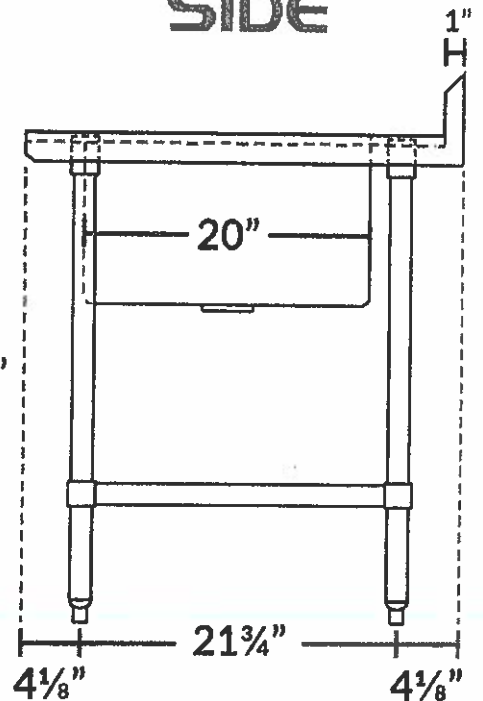
**BOWL**



**FRONT**



**SIDE**



Alex Fiore Teen Center Remodel Project

ITEM 08

SPARE NUMBER

Item 09

SERVICE WORK TABLE  
(1) ONE EA.

CUSTOM FABRICATION  
NSF CONSTRUCTION

- 14 Gauge Stainless Steel top, turn down edges all four sides
- Sound deaden underside of top
- 1 5/8" Dia. Legs / Cross rails @ sides and rear
- Std. Stl. Adj. Bullet Feet
- Dimensions: 3'-10" W x 2'-0"D x 2'-10"H
- N.S.F. Construction

Item 10

DISH WASHER  
(1) ONE EA.

“CMA DISHMACHINES”  
# UC-50e

- Dimensions: 23 7/16” W x 24”D x 33 5/8”H
- High Temp
- Built in 6kw booster heater
- Door and water level safety switches
- Plumbing: 3/4" HW, 140o incoming, 1" drain
- Electrical: 208V, 1PH, 27AMPS, 3/4 HP Water Pump Motor, direct connect
- ETL Listed





# HIGH TEMPERATURE UNDERCOUNTER DISHMACHINE

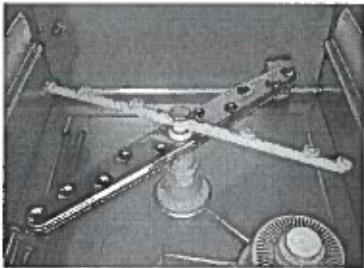
#10

## UC-50e

High Temperature ✓  
Undercounter Dishmachine



CMA MODEL: UC-50e



Upper and lower wash and rinse arms guarantee excellent results.



Built-in detergent and rinse chemical pumps.

### FEATURES

- 30 racks / 120 covers per hour.
- Large 13" maximum loading height door clearance accommodates oversized plates, glasses and utensils.
- Top mounted controls are easy to read and simple to operate.
- Fully automatic cycle for easy operation
- Pump drain allows for multiple installation applications including elevated drains.
- Safety Temp feature assures 180°F sanitizing rinse every cycle.
- Built-in 6 kW booster heater
- 2.7 kW wash tank heater.
- Double skin stainless steel provides consistent heating and a quiet operation.
- Low 0.8 US gal. water usage per rack.
- ✓ Door and water level safety switches, plus booster safety thermostat.
- Stainless steel safety filters protect wash pump.
- Polished stainless steel surface and tanks with rounded corners for a total and easy cleaning.
- Operator friendly, removable wash and rinse arms allows for easy cleaning.
- Triple filtering protection system, captures excess soil and debris.

### AVAILABLE OPTIONS

- Water Tempering Kit
- Drain Board

**CMA  
MILNER**  
Registered Trademark



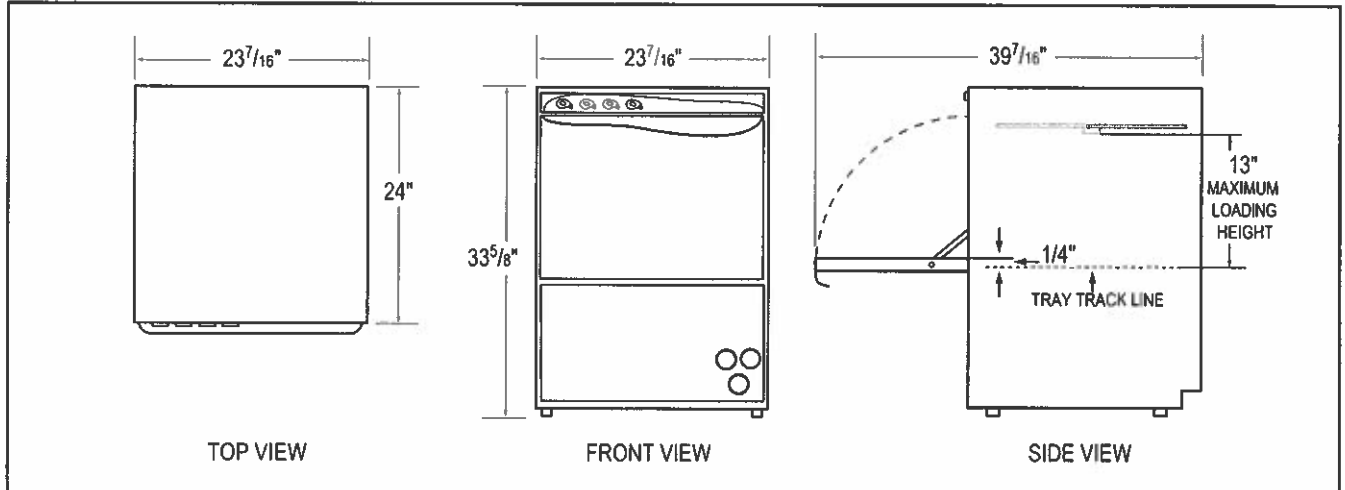


#10

**UC50e**  
High Temp Undercounter  
Dishwasher And Glasswasher

**WARNINGS:**

- Plumbing connections must be made by a qualified service company who will comply with all available Federal, State, and Local Health, Plumbing and Safety codes.
- CMA recommends utilizing a water softening system to maintain water hardness measurements of 3.5 gpg (grains per gallon) or less. This will assure maximum results and optimum operation of the dishmachine.



**Specifications:**

MODEL UC50e	USA	METRIC	USA	METRIC
<b>WATER CONSUMPTION</b>				
PER RACK	8 GAL	(3L)		
PER HOUR	24/16 GAL	(90/60L)		
<b>OPERATING CYCLE</b>				
WASH TIME-SEC	100/160	100/160		
RINSE TIME-SEC	15/15	15/15		
DWELL-SEC	5/5	5/5		
TOTAL CYCLE-SEC	120/180	120/180		
<b>OPERATING CAPACITY</b>				
RACKS PER HOUR	30/20	30/20		
WASH TANK CAPACITY	6.87 GAL	(26L)		
<b>WATER REQUIREMENTS</b> ✓	140°F ✓	(60°C)		
WATER INLET ✓	3/4" ✓			
DRAIN CONNECTION ✓	1" ✓			
RINSE PRESSURE SET	24 PSI	1.7kg/cm <sup>2</sup>		
<b>CYCLE TEMPERATURES</b>				
WASH-°F	155°F-160°F	(68°C/71°C)		
RINSE-°F	180°F-195°F	(82°C/90°C)		
<b>FRAME DIMENSIONS</b>				
DEPTH	24"	(61 CM)		
WIDTH	23-7/16"	(59.5 CM)		
HEIGHT	33-5/16"	(84.5 CM)		
MAXIMUM LOADING HEIGHT	13"	(33 CM)		
<b>STANDARD DISHRACK DIMENSIONS</b>	1	1		
	20" x 20"	(50.8 X 50.8CM)		
<b>WASH PUMP MOTORS HP</b>	3/4HP ✓			
<b>HEATERS</b> ✓	208/240V			
WASH TEMP HEATER	2.7kW / 2.94kW			
BOOSTER HEATER	6kW / 6.53kW			
<b>ELECTRICAL RATING (TOTAL AMPERAGE DRAWN)</b>	VOLTS	PHASE	AMPS	
	208 ✓	1 ✓	27 ✓	
	240	1	30	
<b>APPROXIMATE SHIPPING WEIGHT</b>	165#75(KG)			
<b>SHIPPING DIMENSIONS</b>	PALLET & BOX @ 26" X 26" X 39"			

**Summary Specifications: UC-50e**

The UC50e dishwasher and glasswasher is a front loading machine designed to produce sparkling clean glasses and dishes. Constructed of double walled stainless steel skin providing constant heating and a quiet operation. Standard features include upper and lower wash/rinse arms and wash and booster tank heater. Features include 13" maximum loading height, standard liquid detergent rinse-aid dispenser.

**KROMO BRANDS**

Distributed exclusively by CMA Dishmachines

**Advisory:** CMA does NOT endorse "Tankless On-Demand" water heaters for use on CMA Dishmachine products. CMA DOES endorse, and highly recommends, the standard "tank" style water heaters, sized properly to handle each particular facility with their water heating requirements.



CMA Dishmachines 12700 Knott Street Garden Grove, CA 92841 • 800-854-6417 • 714-898-8781 • Fax: 714-895-2141 • www.cmadishmachines.com

CMA reserves the right to modify specifications or discontinue models without prior notification.

© 3-2020 CMA, Inc.

An Alliance Company

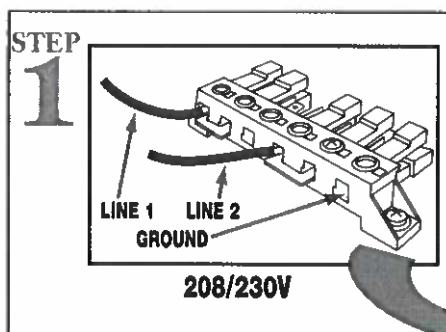
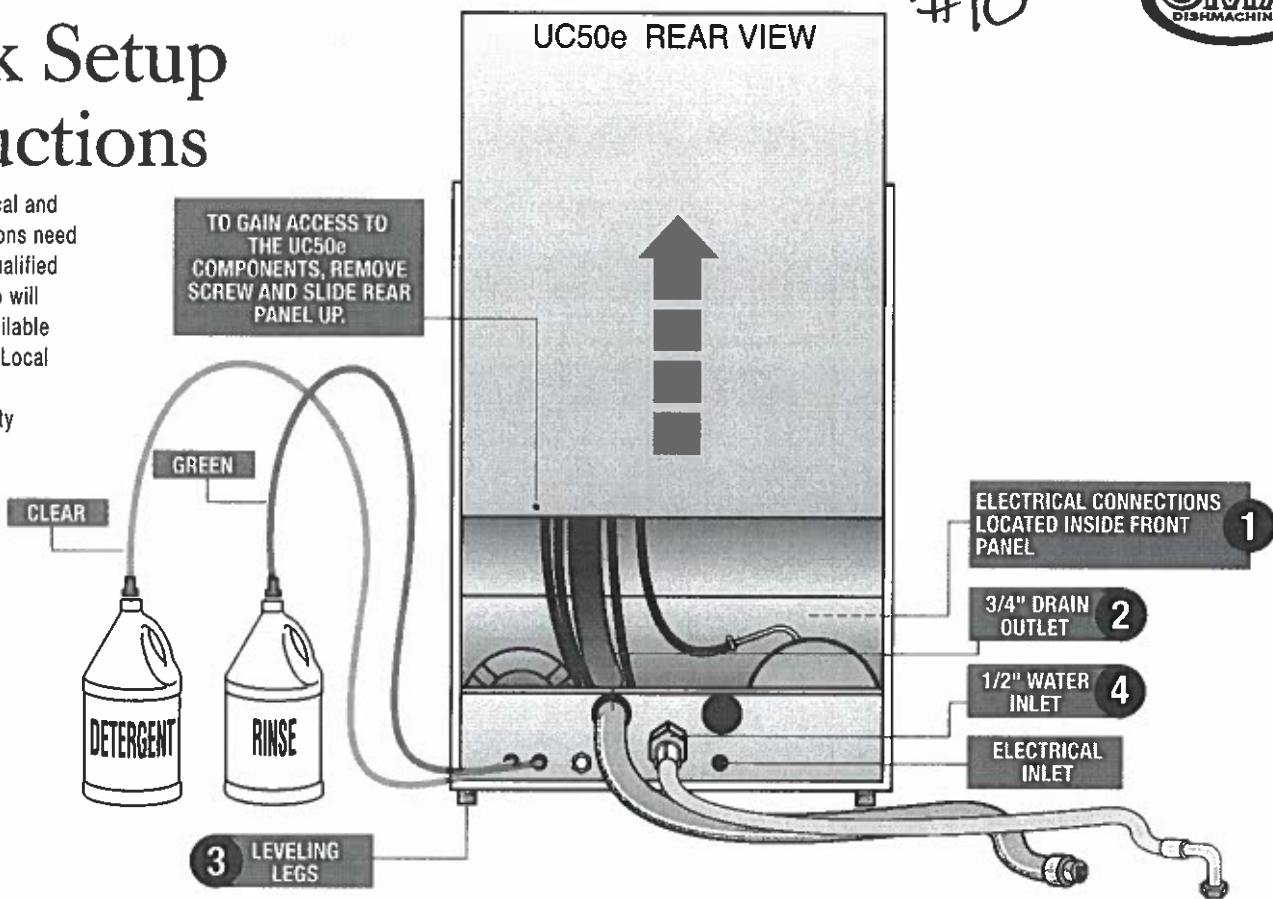


# UC50e Quick Setup Instructions

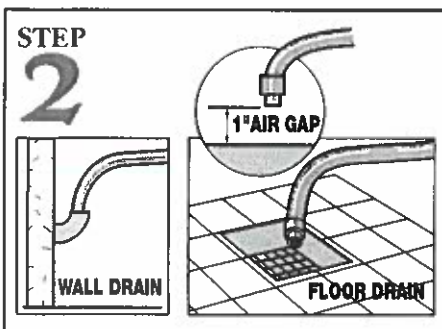
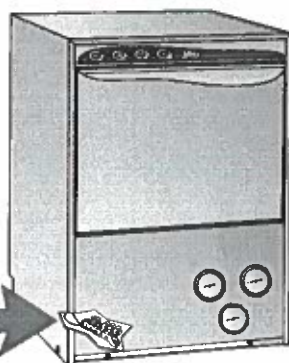
#10



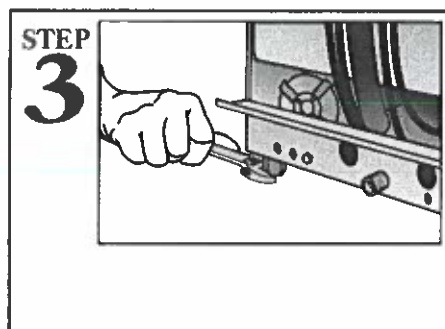
**WARNING:** Electrical and plumbing connections need to be made by a qualified service person who will comply with all available Federal, State and Local Health, Electrical, Plumbing and Safety codes.



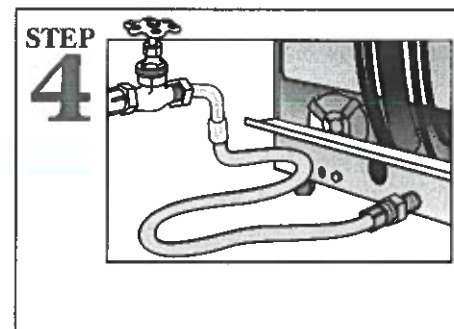
Connect lines 1 and 2 to electrical block located inside front panel.



Connect the drain hose to wall or floor drain. The floor drain must have a 1 inch air gap between drain hose and floor drain.



Level dishmachine by adjusting leveling legs. Dishmachine must be level front and back to ensure proper performance.



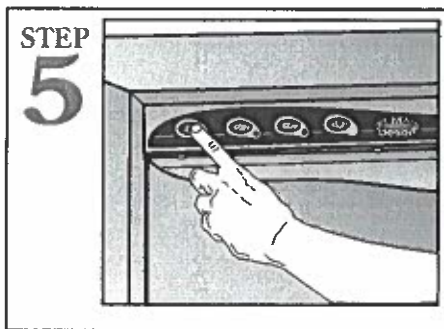
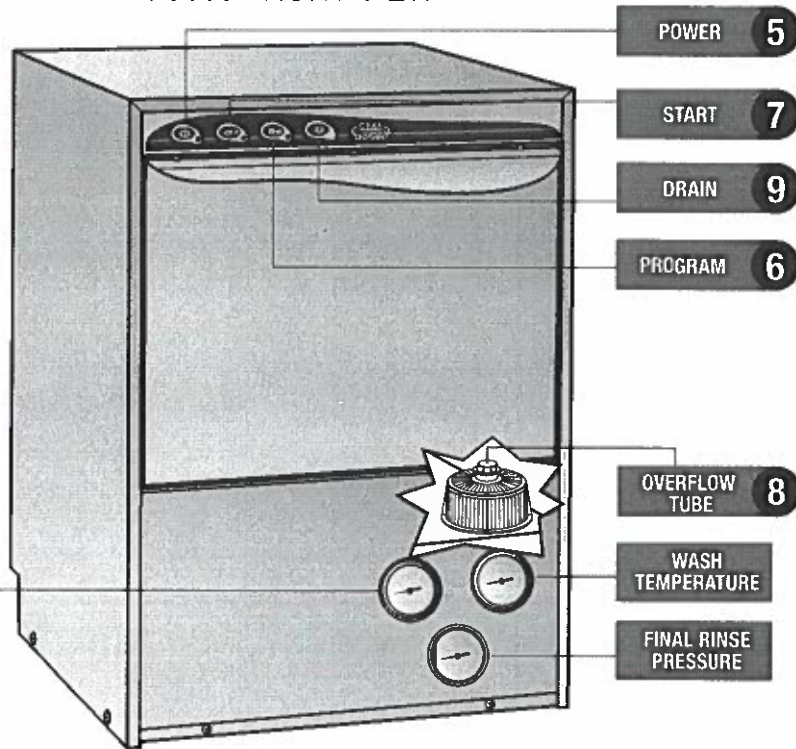
Connect dishmachine to hot water source, minimum temperature 120F, better results at 140F.

# UC50e Quick Setup Instructions

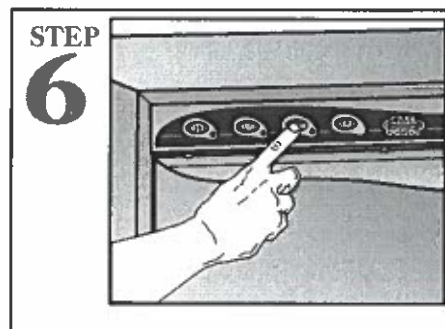
**WARNING:** Electrical and plumbing connections need to be made by a qualified service person who will comply with all available Federal, State and Local Health, Electrical, Plumbing and Safety codes.

UC50e FRONT VIEW

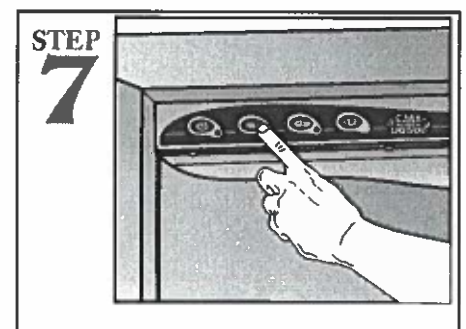
#10



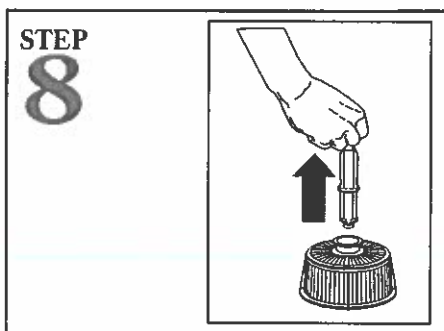
Push the power button to turn on the dishwasher. Wash tank will fill automatically. Wait for 15-20 minutes before wash temperature reaches 155F-160F (check wash temp gauge).



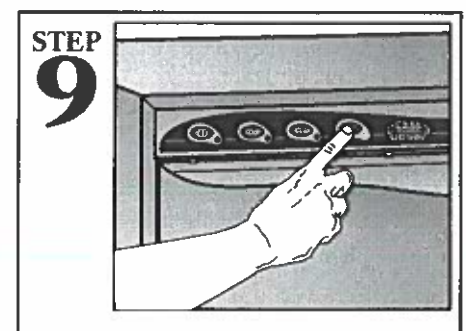
Push button to change time cycle. Push to the "IN" position to run for 120 seconds and the "OUT" position for 180 second run.



Push the "START" button to activate the dishwasher.



At the end of the day, push the power button (STEP 5) to turn power off. When draining the dishwasher, remove overflow tube located inside the wash tank.



With the overflow tube removed, push drain button to empty dishwasher. Reinstall overflow tube when drain cycle is complete.

Item 11

WORK TOP REFRIGERATOR, SHALLOW DEPTH  
(1) ONE EA.

“BEVERAGE AIR”  
# WTR34HC

- Dimensions: 34”W x 24 5/8”D x 32 1/8”H, 4” Back Splash
- 6” Casters, 2 with brakes
- 2 Solid doors with locks
- Self contained
- Electrical: 120V, 1PH, 2Amps, 1/6HP, NEMA 5-15P
- UL Listed



**BEVERAGE-AIR**

Project: _____	AIA# _____
Item: _____ #11	
Location: _____	SIS# _____
Approved: _____	

**WTR SHALLOW DEPTH WORKTOP**

WTR34HC Foamed-in Place Backsplash Worktop Refrigerators  
Hydrocarbon Series

MODELS:  
WTR34HC-FIP



WTR34HC-FIP

**3 Year Parts/Labor Warranty  
Additional 2 Year Compressor Warranty**

**CABINET CONSTRUCTION**

- Stainless steel front, sides and doors, (galvanized back & bottom)
- Interior liner is made of corrosion resistant aluminum
- Full electronic control
- Stainless steel worktop
- Foamed-in place backsplash
- Interior thermometer is standard
- Self-closing doors with 120° stay-open feature, on cartridge style hinges
- Magnetic gasket attached to each door for positive seal
- Painted aluminum door handles
- 6" Casters, two (2) with brakes standard
- Two epoxy-coated steel wire shelves standard
- Field-reversible doors
- Operates at 36° -38°F for optimum food preservation

**OPTIONS & ACCESSORIES**

- Stainless steel back and grille.
- Stainless steel interior available
- Glass doors
- Solid doors with locks
- 6" Legs
- 3" Casters
- Low profile casters
- Foot pedal door opener
- Remote option

**REFRIGERATION SYSTEM**

- Refrigeration system uses R290 refrigerant to comply with all environmental concerns
- Automatic, non-electric evaporator
- System is serviceable from rear
- Epoxy coated evaporator coil

WTR34HC Shallow Depth Worktop: Food Prep Series



3779 Champion Blvd., Winston-Salem, NC 27105  
1-888-845-9800 Fax: 1-336-245-6453  
Beverage-Air.com sales@bevair.com



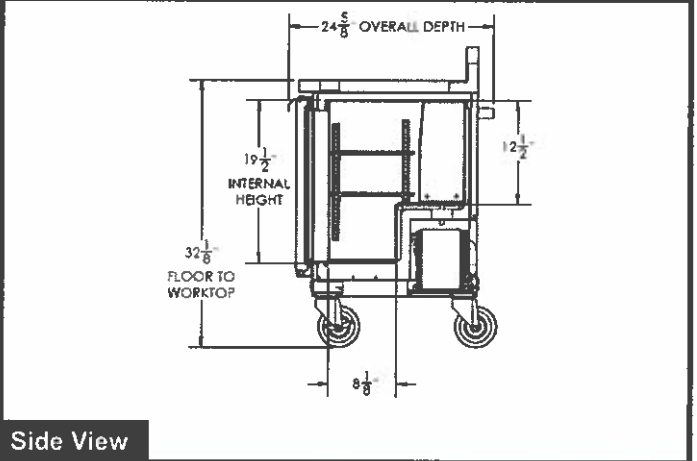
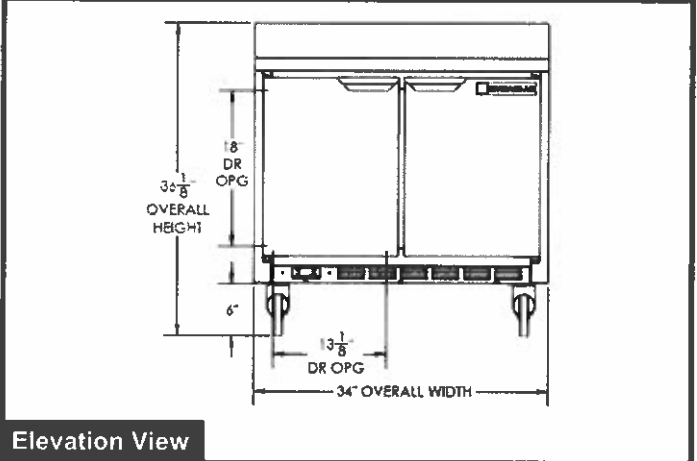
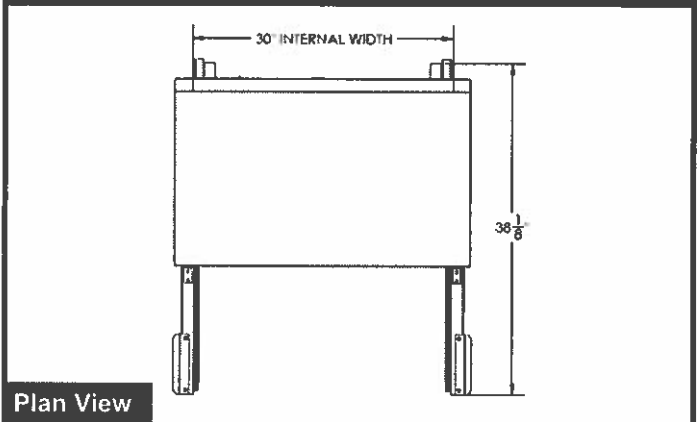
# BEVERAGE-AIR

#11

## Worktop Refrigerators - Shallow Depth Models: WTR34HC-FIP

MODEL	WTR34HC-FIP
<b>EXTERNAL DIMENSIONAL DATA</b>	
Width Overall	34" ✓
Depth Overall with Handle & Bumper	24 5/8" ✓
Height Overall with 6" Casters	36 1/8" ✓
Number of Doors	2 ✓
Depth with Door Open 90°	38 1/8"
Door Opening (in)	13 1/8" x 18"
Shelf Area (sq. in)	186 35/94"
<b>INTERNAL DIMENSIONAL DATA</b>	
NET Capacity (cubic ft.)	3.88
Internal Width Overall (in)	30"
Internal Depth Overall (in)	16 3/8"
Internal Depth Useable (in)	Upper 11" Lower 8 1/4"
Internal Height Overall (in)	19 1/2"
Internal Height Useable (in)	12 1/2"
Number of Shelves	2
<b>ELECTRICAL DATA</b>	
Full Load Amperes 115/60/1 ✓	2 ✓
<b>REFRIGERATION DATA</b>	
Horsepower	1/6 ✓
Capacity (BTU/Hr)*	994
<b>WEIGHT DATA</b>	
Gross Weight (Crated lbs)	172 lbs
Height - Crated	35"
Width - Crated	36"
Depth - Crated	25"

### Model Views



### ELECTRICAL CONNECTION



Units pre-wired at factory and include 8' long cord and plug set.



an AI Group Company



The Spirit of Excellence

3779 Champion Blvd., Winston-Salem, NC 27105  
1-888-845-9800 Fax: 1-336-245-6453  
Beverage-Air.com sales@bevair.com

ITEM 12

REACH-IN FREEZER

“AVANTCO REFRIGERATION”  
A SERIES  
# 178A23FHC

- Cabinet construction includes white painted aluminum interior and 430 stainless steel exterior
- Full height single door, full length door handle
- Foamed in place insulation
- Digital temperature control feature with auto defrost function
- LED interior light
- 3 grey epoxy coated steel shelves. Each holds up to 90 lbs.
- Self contained condensing unit
- Casters, standard
- ETL safety & sanitation listed

Electrical: 120V, 1PH, 7.92AMPS, ½ HP, NEMA 5-15P

Dimensions: 29” W x 32 ¼”D x 82 ½”H.



# REFRIGERATION AVANTCO

## A Series Solid Door Reach-In Refrigerators & Freezers

MODEL #178A23FHC

### CABINET CONSTRUCTION

Cabinet construction includes white painted aluminum interior and 430 stainless steel exterior.

Foamed-in-place CFC- and HCFC-free polyurethane insulation helps provide structural rigidity and maintain internal temperatures.

Removable one-piece grill for cleaning and servicing.

Door has stay-open feature beyond 90° for easy loading, but will self-close under 90° to save energy.

### REFRIGERATION SYSTEM

Environmentally-safe R290 refrigerant. Bottom-mounted condensing unit positioned for easy maintenance.

"No stoop" lower shelf raises product to a higher level for easy access.

### SHELVING

3 gray epoxy-coated steel shelves included.

Each accommodates up to 90 lb.

### MODEL FEATURES

Preprogrammed digital controls feature auto-defrost function.

PROJECT: \_\_\_\_\_

MODEL: \_\_\_\_\_ SERIAL#: \_\_\_\_\_

ITEM #: 12 QUANTITY: 1

APPROVAL: \_\_\_\_\_ DATE: \_\_\_\_\_

### A SERIES REACH-IN FREEZER

Keep ingredients within a safe temperature range in a sleek, durable, and easy-to-clean environment

### SPECIAL FEATURES

- Self-closing door with convenient stay-open feature
- Easy-to-clean 430 series stainless steel exterior
- Painted aluminum interior
- Temperature range of (-8)\*F - (-1)\*F
- 3 shelves included
- Environmentally-safe R290 refrigerant
- Digital temperature controller with automatic defrost function
- 115V; 1/2 HP
- ETL Safety & Sanitation Listed



### WARRANTY

RESIDENTIAL: Avantco assumes no liability for parts or labor coverage for component failure, factory defect or any other damages for units installed in non-commercial foodservice or residential applications.



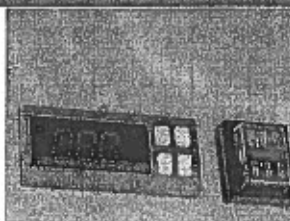
Parts & Labor



Compressor



\* Conforms to UL & NSF-7 Standards



#12



# A Series Solid Door Reach-In Refrigerators & Freezers

MODEL #178A23FHC

## TECHNICAL DATA

### Dimensions

Exterior Dimensions	29"W x 32 1/4"D x 82 1/2"H
Interior Dimensions	24 3/4"W x 27 1/2"D x 53 1/2"H
Net Volume	20.6 cu. ft.
Net Weight	280 lb.
Gross Weight	321 lb.
Packaging Dimensions	30 3/4"W x 34"D x 84 1/2"H

### Construction

Exterior Material	304 Stainless Steel
Interior Material	Painted Aluminum
Insulation Material	Foamed In-Place Polyurethane
Shelf Size	(3) 23 5/8"W x 23 1/4"D
Shelf Material	Epoxy Coated Steel
Shelf Load Capacity	90 lb.

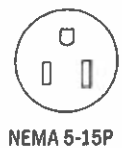
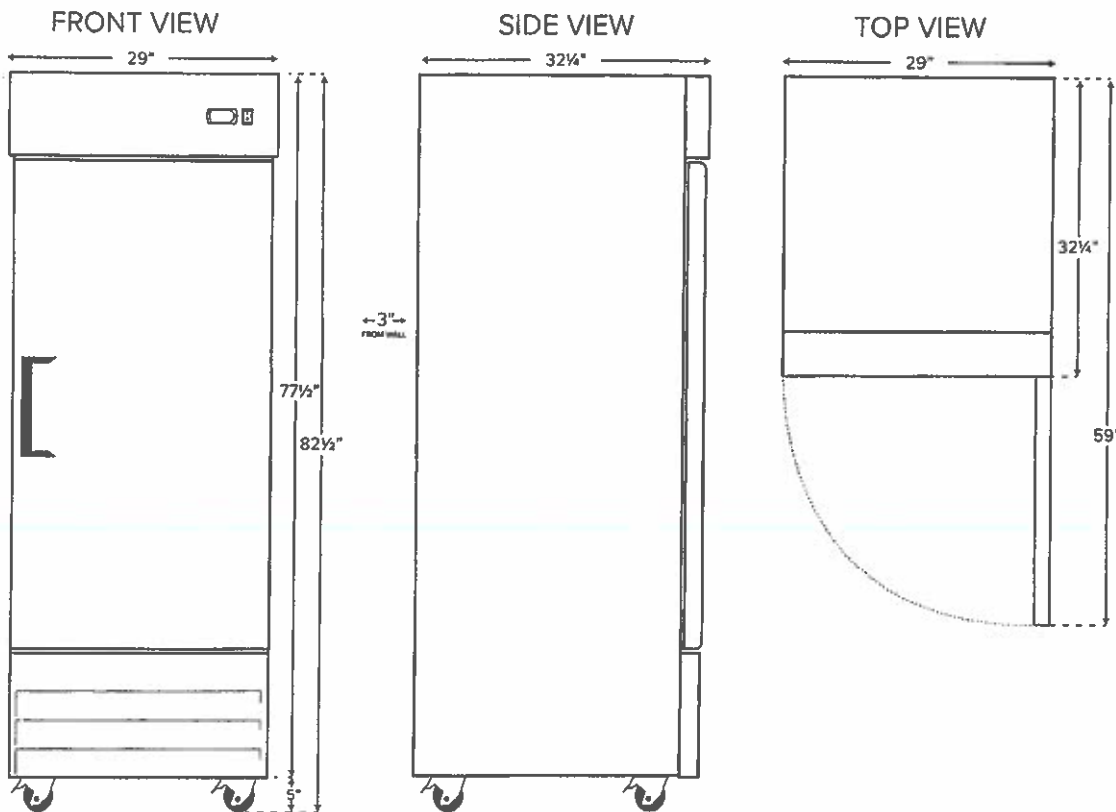
### Cooling

Temperature Range	0°F to 11°F
Refrigerant	R290
Max. Ambient Temperature	100°F
Defrosting	Automatic
Temperature Controller	Digital
Horsepower	1/2

### Electrical

Voltage	115	✓
Amps	7.92	✓
Hz	60	
Phase	1	✓
Plug Type	NEMA 5-15P	✓
Electrical Cord Length	96"	

## PLAN VIEW



ITEM 13

REACH-IN REFRIGERATOR

“AVANTCO REFRIGERATION”  
A SERIES  
# 178A23RHC

- Cabinet construction includes white painted aluminum interior and 430 stainless steel exterior
- Full height single door, full length door handle
- Foamed in place insulation
- Digital temperature control feature with auto defrost function
- LED interior light
- 3 grey epoxy coated steel shelves. Each holds up to 90 lbs.
- Self contained condensing unit
- Casters, standard
- ETL safety & sanitation listed

Electrical: 120V, 1PH, 2.76AMPS, 1/5 HP, NEMA 5-15P

Dimensions: 29” W x 32 ¼”D x 82 ½”H.

# REFRIGERATION AVANTCO

## A Series Solid Door Reach-In Refrigerators & Freezers

MODEL #178A23RHC

### CABINET CONSTRUCTION

Cabinet construction includes white painted aluminum interior and 430 stainless steel exterior.

Foamed-in-place GFC and HCFC-free polyurethane insulation helps provide structural rigidity and maintain internal temperatures.

Removable one-piece grill for cleaning and servicing.

Door has stay-open feature beyond 90° for easy loading, but will self-close under 90° to save energy.

### REFRIGERATION SYSTEM

Environmentally-safe R290 refrigerant. Bottom-mounted condensing unit positioned for easy maintenance.

\*No-stop\* lower shelf raises product to a higher level for easy access.

### SHELVING

3 gray epoxy-coated steel shelves included.

Each accommodates up to 90 lb.

### MODEL FEATURES

Preprogrammed digital controls feature auto-defrost function.

PROJECT: \_\_\_\_\_

MODEL: \_\_\_\_\_ SERIAL#: \_\_\_\_\_

ITEM #: 13 QUANTITY: 1

APPROVAL: \_\_\_\_\_ DATE: \_\_\_\_\_

### A SERIES REACH-IN REFRIGERATOR

Keep ingredients within a safe temperature range in a sleek, durable, and easy-to-clean environment

### SPECIAL FEATURES

- Self-closing door with convenient stay-open feature
- Easy-to-clean 430 series stainless steel exterior
- Painted aluminum interior
- Temperature range of 33-40°F
- 3 shelves included
- Environmentally-safe R290 refrigerant
- Digital temperature controller with automatic defrost function
- 115V; 1/5 HP
- ETL Safety & Sanitation Listed



### WARRANTY

RESIDENTIAL: Avantco assumes no liability for parts or labor coverage for component failure, factory defect or any other damages for units installed in non-commercial foodservice or residential applications.



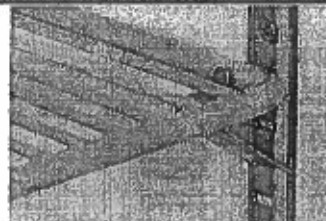
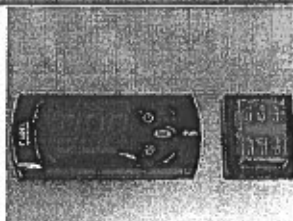
Parts & Labor



Compressor



\* Conforms to UL & NSF-7 Standards





# A Series Solid Door Reach-In Refrigerators & Freezers

#13

MODEL #178A23RHC

## TECHNICAL DATA

### Dimensions

Exterior Dimensions	29"W x 32 1/4"D x 82 1/2"H
Interior Dimensions	24 1/2"W x 27 1/2"D x 53 1/2"H
Net Volume	20.6 cu. ft.
Net Weight	282 lb.
Gross Weight	321 lb.
Packaging Dimensions	30 1/4"W x 34"D x 84 1/2"H

### Construction

Exterior Material	430 Stainless Steel
Interior Material	Painted Aluminum
Insulation Material	Foamed-In-Place Polyurethane
Shelf Size	(3) 23 3/8"W x 23 1/4"D
Shelf Material	Epoxy-Coated Steel
Shelf Load Capacity	90 lb.

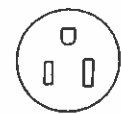
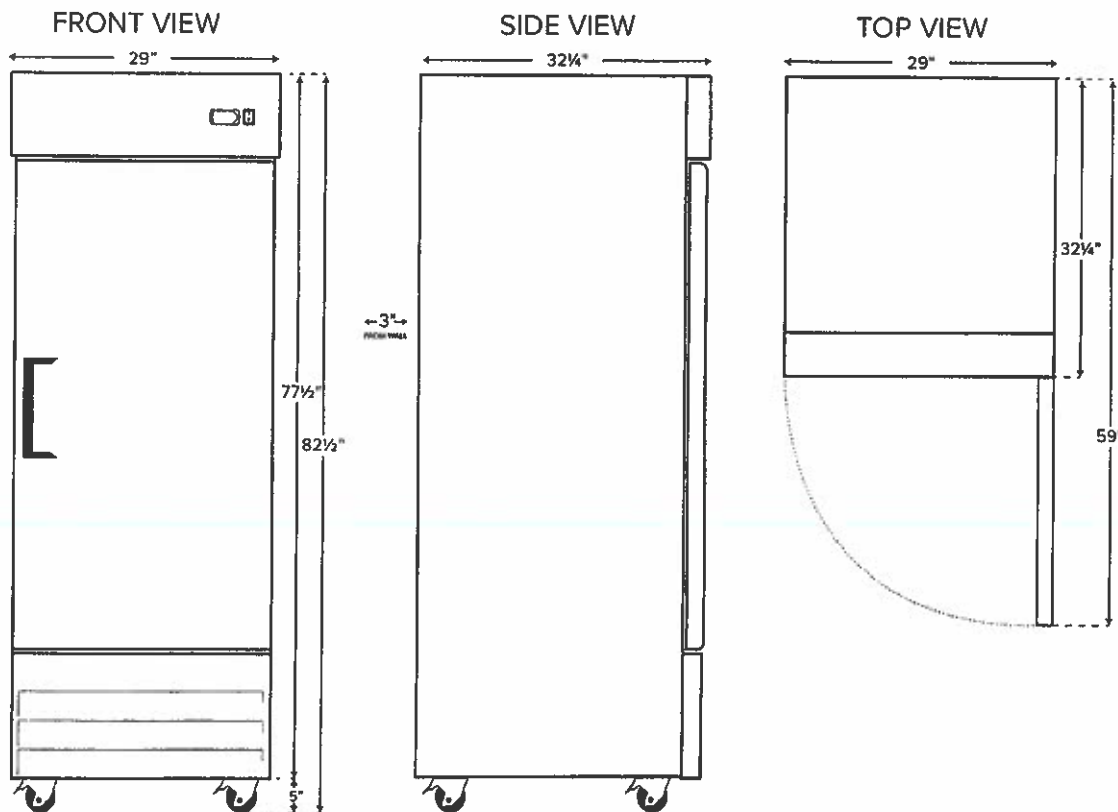
### Cooling

Temperature Range	33°F - 40°F
Refrigerant	R290
Max. Ambient Temperature	100°F
Defrosting	Automatic
Temperature Controller	Digital
Horsepower	1/5 ✓

### Electrical ✓

Voltage	115 ✓
Amps	2.76 ✓
Hz	60
Phase	1 ✓
Plug Type	NEMA 5-15P ✓
Electrical Cord Length	96"

## PLAN VIEW



NEMA 5-15P

Item 14

MICROWAVE SHELF

(1) ONE EA.

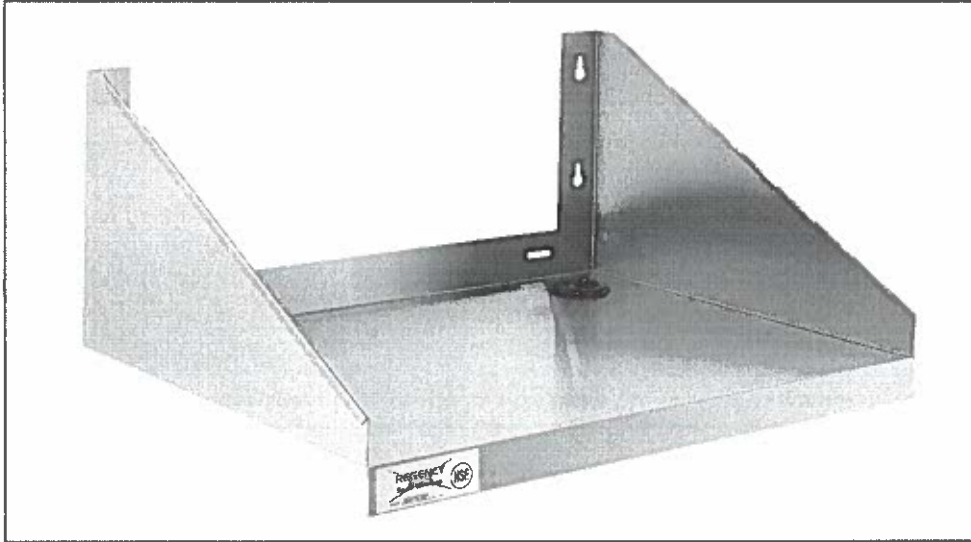
“REGENCY Tables & Sinks”

# 600MS1824

- Dimensions: 24” W x 18”D x 10”H, 1 1/2” Turn down @ front edge
- 18Gauge Stainless Steel, type 430
- N.S.F. Construction

# STAINLESS STEEL Microwave Shelf

#14  
**REGENCY**  
Space Solutions



## FEATURES

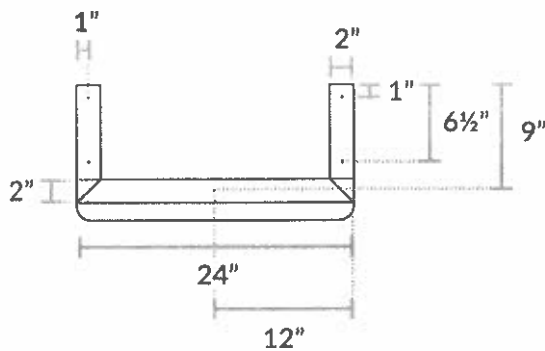
- 24" x 18" stainless steel microwave shelf
- 18-gauge type 430 stainless steel
- Includes a grommet hole to allow power cords to pass through

NSF

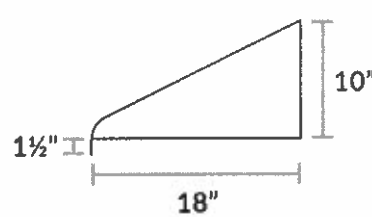
## SPECIFICATIONS

ITEM	GAUGE	DEPTH	WIDTH	LOADING CAPACITY	GROMMET
600MS1824 ✓	18 Gauge	18"	24"	185 lb.	Included

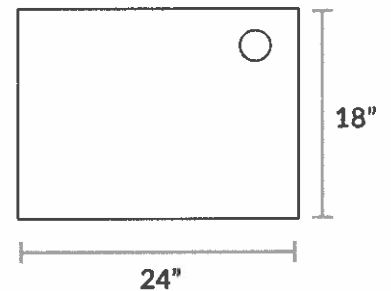
FRONT



SIDE



TOP



REGENCYTABLESANDSINKS.COM

ITEM 15

WALL SHELF with CONCEALED BRACKETS

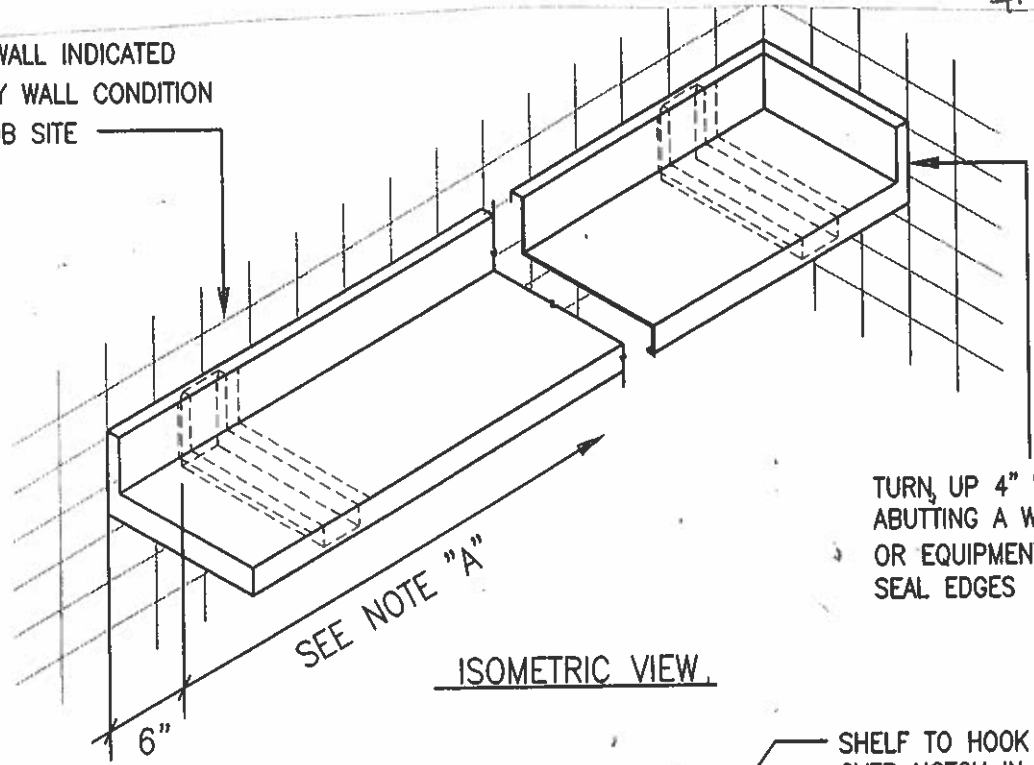
CUSTOM FABRICATION

- 2'-5" W x 1'-1"D, 4"H. Splash
- 18 Ga. Stainless Steel Shelf
- 14 GA Stainless Steel Brackets
- See Detail SD-1
- NSF Construction



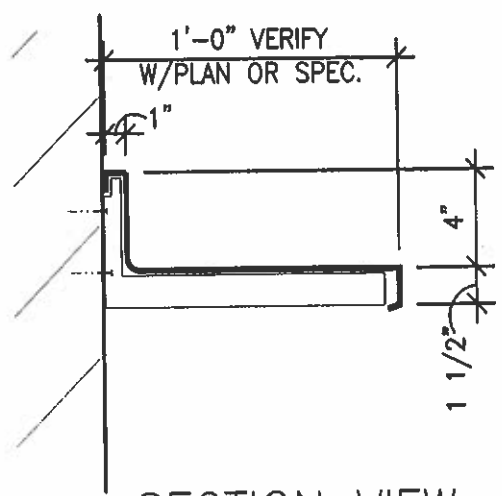
#15

TILE WALL INDICATED  
VERIFY WALL CONDITION  
AT JOB SITE



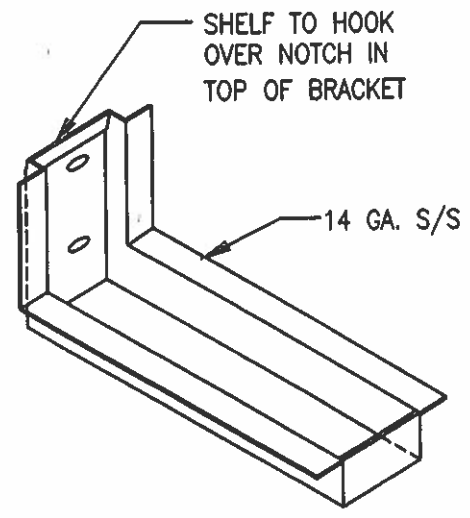
ISOMETRIC VIEW

TURN UP 4" WHEN  
ABUTTING A WALL  
OR EQUIPMENT.  
SEAL EDGES



SECTION VIEW

SCALE: 1 1/2"=1'-0"



ISOMETRIC BRACKET

NOTE "A"

MAXIMUM SPACING BETWEEN BRACKETS  
NOT TO EXCEED 42", SECURE BRACKETS  
TO WALL W/ A MIN. OF TWO-APPROPRIATE  
FASTENERS TO SUPPORT HEAVY LOADS.

CONSULTANT: FOODSERVICE DESIGN by JEAN WWW.FSDKITCHENS.COM (661) 444-1762 jrfsd@aol.com	DETAIL TITLE: CONCEALED WALL SHELF DETAIL N.S.F. CONSTRUCTION	PROJECT:  NOT TO SCALE	DETAIL NO.:  SD-1
---	--	------------------------------	-------------------------

ITEM 16

36" GAS RESTAURANT RANGE  
W/ STANDARD OVEN  
(1) ONE EA.

"GARLAND RANGE"  
SUNFIRE  
# X36-6R

- Dimensions: 35 7/16"W x 33 1/2"D x 57"H
- 6 open burner w/ 26"oven
- Pressure regulator included
- Heavy duty grates
- Standard high back with shelf
- 6"H. Legs
- Plumbing: 3/4"gas conn, 213,BTU Total Input
- NSF Listed

# SUNFIRE®

## X Series 36" Gas Restaurant Range

Item: 116  
 Quantity: 1  
 Project: \_\_\_\_\_  
 Approval: \_\_\_\_\_  
 Date: \_\_\_\_\_

X Series 36" Gas Restaurant Range

**Models:**

- X36-6R       X36-6S       X36-2G24R       X36-2G24S



*Model X36-6R*

NOTE: Ranges supplied with casters must be installed with an approved restraining device.

**Standard Features:**

- Large 27" (686mm) work top surface
- Stainless steel front and sides
- Stainless steel 4" (102mm) plate rail
- Stainless steel backguard w/ removable stainless steel shelf
- 12" (305mm) section stamped drip trays w/ dimpled bottom
- Durable easy to read control knobs
- Easy to clean 6" (152mm) steel core, injection molded legs
- Pressure regulator, 3/4" NPT ✓

**Standard on Applicable Models:**

- Ergonomic split cast iron top ring grates
- 30,000 Btuh/ 8.79 kW 2 piece cast iron "Q" style donut open burner
- 5/8" (15mm) thick steel griddle plate w/manual hi/lo valve control
- 4-1/4" (108mm) wide grease trough
- 18,000 Btuh/5.27 kW cast iron "H" style griddle burner per 12"(305mm) width of griddle
- Griddle plates only available on right side of range

- Straight steel tube oven burner 33,000 Btuh/9.67 kW
- Standard size Sunfire oven w/ ribbed porcelain oven bottom and door interior, aluminized top, sides and back
- Oven thermostat w/ Low to 500° F (260° C)
- Nickel plated oven rack with two fixed position oven rack guides
- Heavy duty oven door with keep-cool handle
- Open storage base in lieu of oven

**Optional Features:**

- Hot top 12" (305mm) plate, 5/8" (15mm) thick in lieu of two open burners, manual valve controlled w/18,000 Btuh/5.27 kW cast iron burner; standard on left side
- Low profile 9-3/8" (238mm) backguard stainless steel front and sides
- Additional oven racks
- 6" (152mm) swivel casters (4), w/ front locking
- Celsius temperature dials

**Specifications:**

Gas restaurant series range with standard size Sunfire oven. 35-7/16" (900mm) wide with a 27" (686mm) deep work top surface. Stainless steel front, sides and 4"(102mm) wide front rail. 6" (152mm) legs with adjustable feet. Six robust 2 piece 30,000 Btuh/8.797 kW (Natural gas), cast open burners set in split cast iron ergonomic grates. Griddle or optional hot top with cast iron "H" style burners, 18,000 Btuh/5.27 kW (natural gas), in lieu of open burners. Porcelain oven bottom and door liner. Two position fixed rack guide w/one oven rack. Heavy duty oven door with "keep cool" door handle. Straight steel tube oven burner 33,000 Btuh/9.67 kW (natural gas) provides quality bake and good recovery. Oven thermostat ranges from Low to 500° F (260° C). Available with storage base in lieu of oven.



Garland Commercial Ranges Ltd.  
 1177 Kamato Road,  
 Mississauga, Ontario  
 L4W 1X4 CANADA

General Inquiries 1-905-624-0260  
 USA Sales, Parts and Service 1-800-424-2411  
 Canadian Sales 1-888-442-7526  
 Canada or USA Parts/Service 1-800-427-6668



# SUNFIRE®

#16

# X Series 36" Gas Restaurant Range

Model Number	Description	Total BTU/Hr Natural	Shipping Information		
			Lbs.	Kg	Cu. Ft.
X36-6R ✓	Six Open Burners w/26" Oven ✓	213,000	430	195	37
X36-6S	Six Open Burners w/Storage Base	180,000	310	141	37
X36-2G24R	24" Griddle, Two Open Burners w/26" Oven	129,000	495	225	37
X36-2G24S	24" Griddle, Two Open Burners w/Storage Base	96,000	375	170	37

Width	Depth	Height w/shelf	Oven Interior			Combustible Wall Clearance		Entry Clearances	
			Height	Depth	Width	Sides	Rear	Crated	Uncrated
35-7/16" (900mm)	33-1/2" (851mm)	57" (1448mm)	13" (330mm)	22" (559mm)	26-1/4" (667mm)	14" (356mm)	6" (152mm)	37" (940mm)	36-1/2" (927mm)

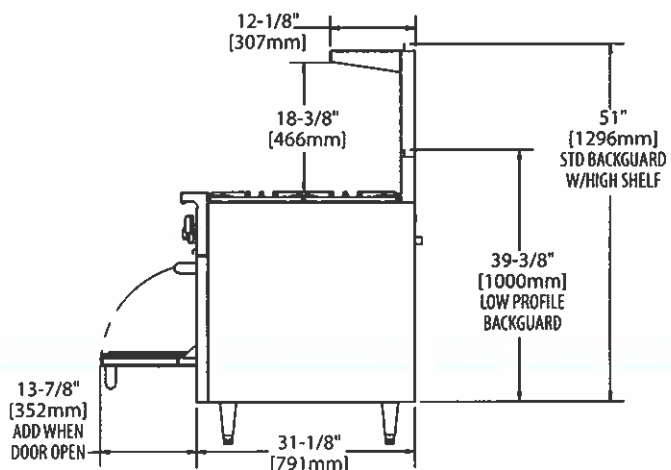
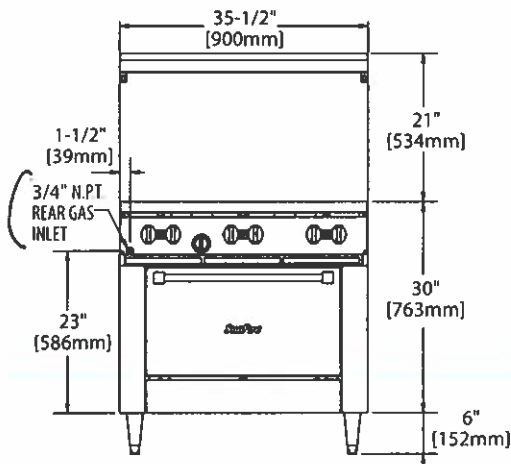
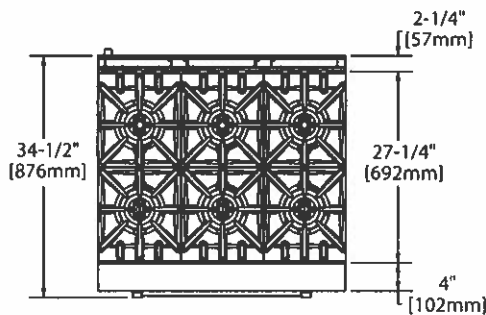
Gas input ratings shown for installations up to 2000 ft.(610m) above sea level. Please specify altitudes over 2000 ft.

Note: Installation clearance reductions are applicable only where local codes permit.

This product is not approved for residential use.

Burner Ratings (BTU/Hr/kW)			
Gas Type	Open Top	Griddle/Hot Top	Standard Oven
Natural ✓	30,000/8.79	18,000/5.27	33,000/9.67
Propane	26,000/7.61	18,000/5.27	29,000/8.50

Manifold Operating Pressure	
Natural	Propane
4.5" WC 11 mbar	10" WC 25 mbar



Form# X36 Series (10/23/14)

Garland Commercial Ranges Ltd.  
1177 Kamato Road,  
Mississauga, Ontario  
L4W 1X4 CANADA

General Inquiries 1-905-624-0260  
USA Sales, Parts and Service 1-800-424-2411  
Canadian Sales 1-888-442-7526  
Canada or USA Parts/Service 1-800-427-6668

ITEM 17

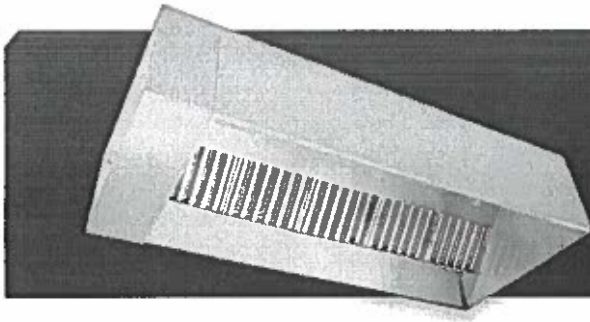
EXHAUST HOOD

“CAPTIVE AIR”

# 5424 ND-2

- Dimensions: 54”W x 54”D x 24”H
- Utility Cabinet # sc-311110FP, 12”W x 54”D x 24”H, 1 light switch, 1 fan switch
- 2 Lights
- 3 Filters
- 10”Dia. Duct
- Electrical: 208V, 3PH, 26AMPS, 3/4”HP
- DOAS (Dedicated Outdoor Air System)
- ETL Listed

#17



## ND-2 SERIES

### Exhaust Only Hood

CaptiveAire's Premier Canopy

The ND-2 Series is a Type I, Wall Canopy Hood for use over 450°F, 600°F and 700°F cooking surface temperatures. The aerodynamic design includes a mechanical baffle and performance enhancing lip for exceptional capture and containment.

### Fully Integrated Package

CaptiveAire sells this hood as a stand-alone appliance to be integrated into a kitchen ventilation application, or provided as part of a FULLY INTEGRATED PACKAGE designed by CaptiveAire and pre-engineered for optimum performance. The package consists of the hood, an integral utility cabinet, factory pre-wired electrical controls, and a listed fire suppression system. Other options include a listed exhaust fan, a listed make-up air unit and listed, factory-built ductwork.

### Advantages

- ▶ **Exhaust Flow Rates:** Superior exhaust flow rates. A 4' Hood can operate at 150 CFM/ft or 600 total CFM. Available in single or back-to-back configurations.
- ▶ **ETL Listed:** ETL Listed for use over 450°F, 600°F and 700°F cooking surface temperatures, which provides flexibility in designing kitchen ventilation systems. ETL Listed to US and Canadian safety standards, ETL Sanitation Listed and built in accordance with NFPA 96.
- ▶ **Capture and Containment:** Insulated, double-wall rigid front has aerodynamic design that reduces radiant heat into kitchen, prevents condensation and provides exceptional capture and containment of cooking vapors. This is accomplished with the signature ND-2 "mechanical baffle" on the front of the hood's capture area and the "C-shaped" design of the hood's capture area. Mechanical baffle provides a built-in wiring chase for optimal positioning of electrical controls and outlets on the front face of the hood without penetrating capture area or requiring external chase way.
- ▶ **Convenient Design:** Factory pre-wired lighting to illuminate the cooking surface is accessible from the bottom of the hood. Fitted with UL Listed, pre-wired, incandescent light fixtures and tempered glass globes to hold up to a standard 100 watt bulb. Pre-punched hanging angles on each end of hood and additional set provided for hoods longer than 12'.
- ▶ **Construction:** Polished stainless steel on the interior and exterior of the front enhance aesthetics. Fully welded and polished front corners. Fabricated from
- ▶ **Grease Extraction:** All hoods come standard with stainless steel baffle filters and a deep grease trough which allows for easy cleaning. Captrate Combo® and Captrate Solo® filters are optional. Grease drain system with removable 1/2 pint cup for easy cleaning. Standard filter stops eliminate gaps between filters.
- ▶ **Reduced Lead Times and Shipping Costs:** Produced on a high volume assembly line at one of six manufacturing facilities to reduce lead times and shipping costs.
- ▶ **Clearance to Combustibles:** Standard built in 3" rear standoff to meet NFPA 96 requirements, when installed in a wall application.
- ▶ **Controls:** Hoods can be equipped with modular utility cabinets and end standoffs. Optional listed light and fan control switches flush mounted and pre-wired through electrical chase way.
- ▶ **Optional Make-Up Air:** Make-up air can be supplied through optional front and/or side plenums (ND-2 Series with PSP or AC-PSP Accessory).
- ▶ **Optional Self Cleaning Technology:** The Self Cleaning Hood option adds a spray bar that extends the full length of the hood immediately behind the filters. The system cleans grease from the plenum and portion of the duct with the daily hot water spray cycle.
- ▶ **Optional CORE Protection:** The CORE Fire Protection System is an automatic, pre-engineered fire suppression system which is ETL listed to UL Standard

Type 430 stainless steel with option of Type 304 available.

- ▶ **Channels:** Hood comes standard with structural channels on top and wrapper channels on the bottom.
- ▶ **Reduced Weight:** Rigid single wall end panels reduce weight.

300. The CORE Protection System is designed to provide primary coverage for ventilating equipment including hoods, ducts, plenum and filters. #17

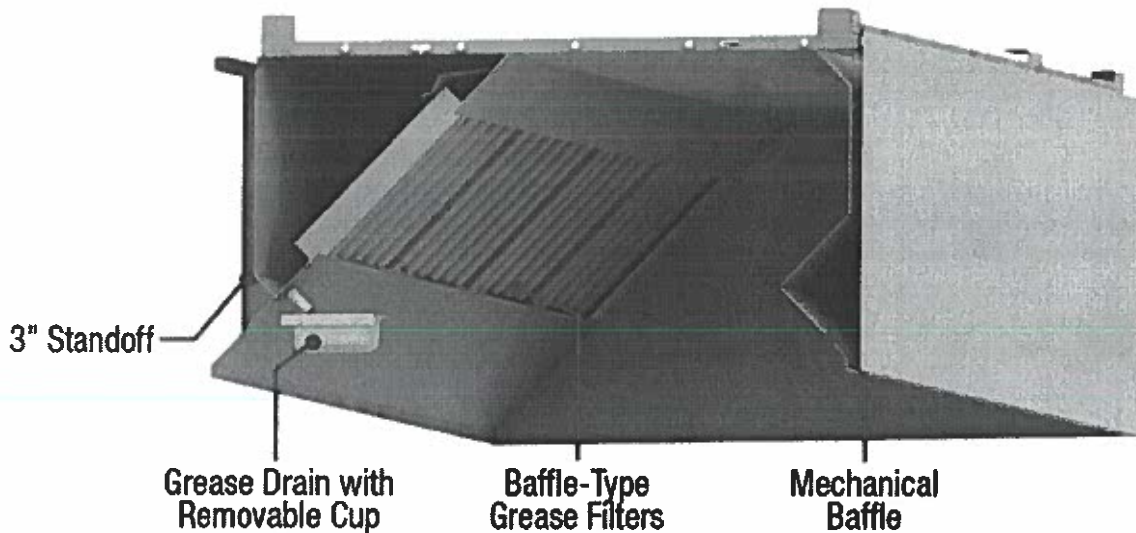
- ▶ **Optional Heat Recovery Coil:** This option is available for hoods with CORE Protection. A listed coil accessory can be added to the hood plenum to recover heat from the exhaust stream. Warm air in the exhaust stream passes over the coil and heats the cold water in the coil, acting as a preheater on the hot water supply line for the restaurant or facility.

## Performance

AVG. COOKING SURFACE TEMP. (°F)	CONFIGURATION	MIN. EXHAUST CFM / FT.
450°F	Single Wall Hood 2 Wall Hoods Back-to-Back	150 300
600°F	Single Wall Hood 2 Wall Hoods Back-to-Back	200 400
700°F	Single Wall Hood 2 Wall Hoods Back-to-Back	250 500

Recommended Duct Sizing: Exhaust - Based on 1500 FPM

## Features



- ▶ Hemmed edges prevent sharp surfaces
- ▶ Wide Vertical End Panels (WVEPs) provide an increased level of heat containment and fire protection, especially useful for high radiant load appliances such as solid fuel

#17

---

## Options

**Utility Cabinet:** Listed for integral side mount and fabricated of same material as hood. Cabinet can house listed fire suppression system and listed, pre-wired electrical controls.

**Front Perforated Supply Plenum:** Provides low velocity make-up air for the kitchen and is discharged in front of the hood. Perforated diffuser plates allow for even air distribution and supply riser includes a volume damper for easy balancing. Side Perforated Supply Plenums can be added to optimize the air flow if necessary.

**Enclosure Panels:** Constructed of stainless steel. Sized to extend from hood top to ceiling, enclosing pipe and hanging parts.

**End Panels:** Should be used to maximize hood performance and eliminate the effects of cross drafts in kitchen. Units constructed of stainless steel and sized according to hood width and cooking equipment. Exposed edges hemmed for safety and rigidity.

**Roof Top Package:** Combination ETL Listed exhaust/supply air unit with factory prewired and mounted motors, trunkline and curb vented on exhaust side.

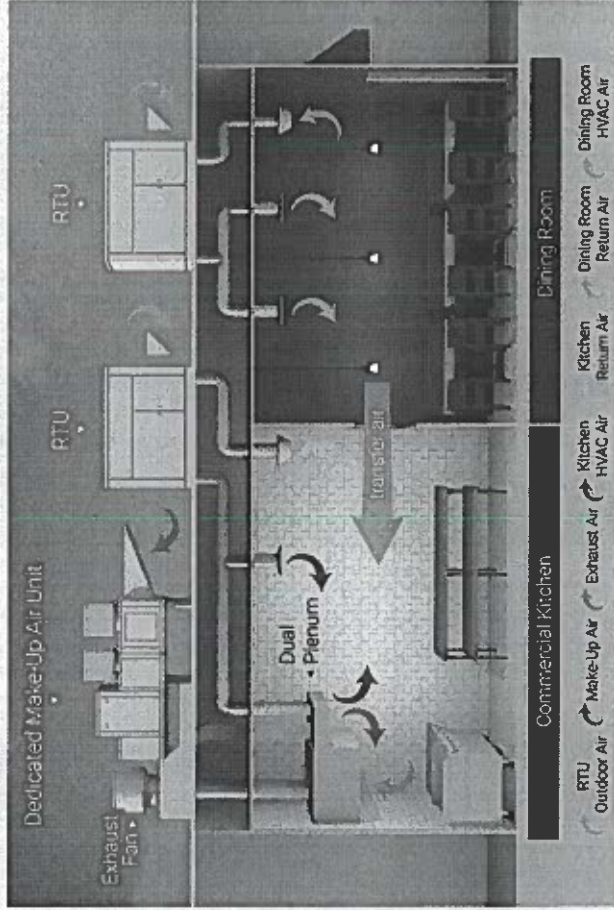
**Separate Exhaust and/or Make-Up Air Fans:** ETL Listed single exhaust fans and supply-air fans and curbs available.

**Fire Suppression System:** UL 300 fire suppression system.

**Lighting:** Recessed Incandescent, Recessed Fluorescent, Compact Fluorescent, Recessed LED, Halogen



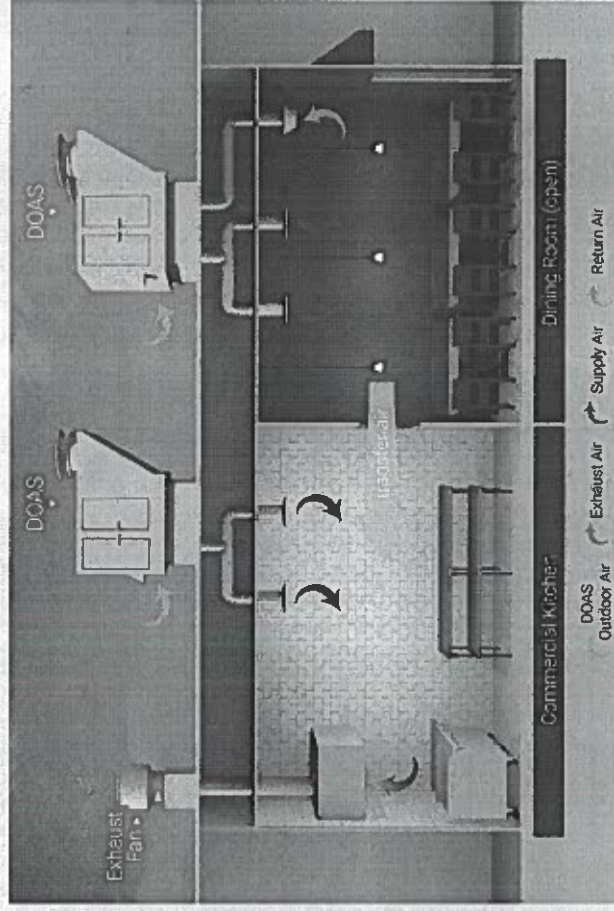
# TRADITIONAL KITCHEN VENTILATION APPROACH



## Challenges with Traditional Kitchen Ventilation Approach

- ✗ Comfort and humidity control. RTU staged cooling, economizers, challenging humidity control via outdoor air through RTU
- ✗ Indoor air quality and pressure challenges. As RTU's cycle on and off, outdoor air is intermittently provided to the space
- ✗ Negative building pressure
- ✗ Turbulent airflows in the kitchen
- ✗ Returns fighting with the hood
- ✗ Multiple suppliers, poor interlocking of equipment
- ✗ Costly, reoccurring expenses of building management system
- ✗ High installation costs

# INTEGRATED DOAS VENTILATION APPROACH



## Solution: Paragon Dedicated Outdoor Air System (DOAS) Integrated Ventilation Approach

- ✓ Completely modulating system allows for greater efficiency
- ✓ Precise temperature and humidity control maximizes comfort
- ✓ Consistent outdoor air introduction with cross draft flow optimizes indoor air quality vs. cycling RTUs
- ✓ No return ductwork in kitchen results in lower exhaust rates and installation savings
- ✓ Positive building pressure
- ✓ Laminar kitchen airflow allows for lowest exhaust rates, maximizing savings
- ✓ Complete building integration through one manufacturer
- ✓ Complimentary 24/7 monitoring and control via CASLink building management system
- ✓ Sustainable solution designed to last up to 25 years
- ✓ Standard 5 year warranty, 10 year warranty included with a Preventative Maintenance contract
- ✓ Rapid lead times: Paragon DOAS ships in 3 weeks or less
- ✓ Reduced footprint, roof penetrations, and installation costs
- ✓ Certified Indoor Air Quality by CaptiveAir notifying occupants that they are breathing in fresh, clean air

#17

Alex Fiore Teen Center Remodel Project

ITEM 18

St. Steel Hood Trim & Misc. St. Steel exhaust trims as required  
To be field verified

LOT

CUSTOM FABRICATION  
NSF CONSTRUCTION

ITEM 19

WALL FLASHING W/ TRIM STRIPS @ COOK LINE

CUSTOM FABRICATION  
NSF CONSTRUCTION

- 20 Gauge stainless steel with trim strips

ITEM 20

COMMERCIAL MICROWAVE

“PANASONIC”

# NE-1054F

- Dimensions: 20 1/8” W x 16 3/8” D, 12” H.
- Stainless steel front
- Grab n Go handle
- 6 power levels, programmable and manual operations
- Interior oven light
- Anti-theft equipped
- Electrical: 120V, 1PH, 13.4AMPS, NEMA 5-15P
- NSF and UL Listed

Project: \_\_\_\_\_

Item #: 20

**Panasonic**

**FOOD SERVICE  
EQUIPMENT**

# NE-1054F 1000 WATT\* COMMERCIAL MICROWAVE OVEN

PRO

[www.panasonic.com/CMO](http://www.panasonic.com/CMO)



## PERFECT FOR

- Vending
- Break Rooms
- Waitress Stations
- Front of House
- Schools
- Concessions
- Convenience Stores

## PERFORMANCE

- 1000 Watt Power
- 10 Programmable memory pads
- 20 Memory capability
- 6 Power levels
- 2- and 3-stage cooking
- Programmable and Manual operations
- Bottom energy feed

## BOTTOM ENERGY FEED

Energy travels less distance to reach the food, compared to side or top energy feed, for increased efficiency.

## "GRAB & GO" DOOR HANDLE

Without moving parts like those found in trigger-activated or push-button handles, the "Grab & Go" door handle is fast, reliable and durable.

## ADDITIONAL FEATURES

- Stainless steel front
- 0.8 cubic feet cavity
- Grab & Go door handle
- Fits 1 half-size, 6-inch deep steam table pan/cover
- Braille keypad
- Program list/cycle counter
- Self diagnostics
- 99:99-minute capacity
- Interior oven light
- See-through oven door
- Touch control keypad
- Anti-theft equipped
- Program lock
- Tone control
- Will ship via UPS

SPECIFICATIONS	NE-1054F
Power Source: ✓	120V, 60Hz, Single Phase
Receptacle Required: ✓	NEMA 5-15
Frequency:	2,450MHz
Required Power: ✓	13.4A
Output:	1000 Watts*
Outer Dimensions: (w x d x h)	20-1/8" x 16-1/2" x 12"
Cavity Dimensions: (w x d x h)	13" x 13" x 8-1/16"
Net Weight:	34 lbs.
Shipping Weight:	40 lbs.
Shipping Box Size: (w x d x h)	24" x 18-1/2" x 14-3/4" - 3.8 cu. ft.
Timer:	99 Minutes, 99 Seconds
Memory Capability:	20 Programs
Door / Cabinet / Cavity:	Stainless / Grey / White

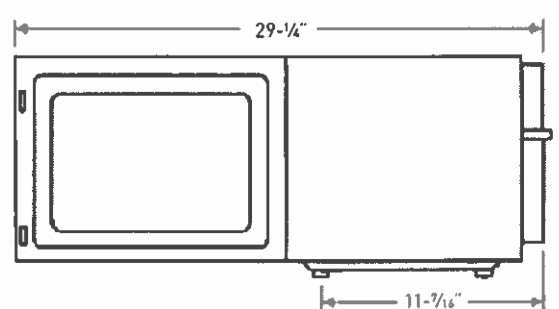
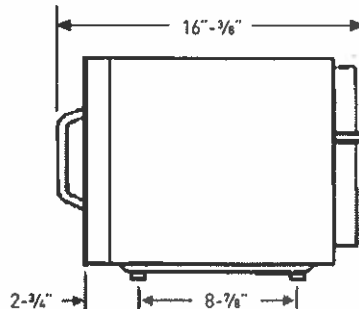
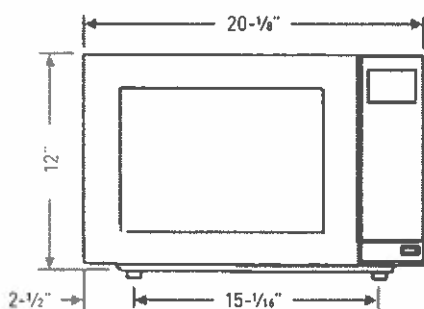
The NE-1054F commercial microwave meets or exceeds all safety performance and sanitation standards set for commercial food service microwave ovens by UL, HHS, FCC and NSF.



**Panasonic Commercial Food Service**  
Division of Panasonic Corporation of North America  
2 Riverfront Plaza | Newark, NJ 07102  
(201) 348-7000  
[www.panasonic.com/cmo](http://www.panasonic.com/cmo)

## MAINTENANCE

- Self-diagnostics
- Easy to change interior oven light
- Warranty: 1 year parts/labor or 18,000 cycles
- Warranty: 3 years parts/labor or 54,000 cycles for magnetron



Item 21

CABINET BASE – LEFT SIDE

CUSTOM FABRICATION / MILLWORK  
NSF CONSTRUCTION

See Architectural / Interior Design Plans

- 14 Gauge Stainless Steel top with 6” H. back splash
- Millwork cabinet base as selected by Architect / Interior Design
- Adjustable intermediate shelves within cabinet base
- Typical Doors and drawer shall have locks, keyed alike
- N.S.F. Construction

Item 22

CABINET BASE – RIGHT SIDE

CUSTOM FABRICATION / MILLWORK  
NSF CONSTRUCTION

See Architectural / Interior Design Plans

- 14 Gauge Stainless Steel top and 6” H. back splash
- Millwork cabinet base as selected by Architect / Interior Design
- Adjustable intermediate shelves within base cabinet
- Typical Doors and drawer shall have locks, keyed alike
- N.S.F. Construction

ITEM 23

WALL SHELF with CONCEALED BRACKETS  
(1) ONE EA.

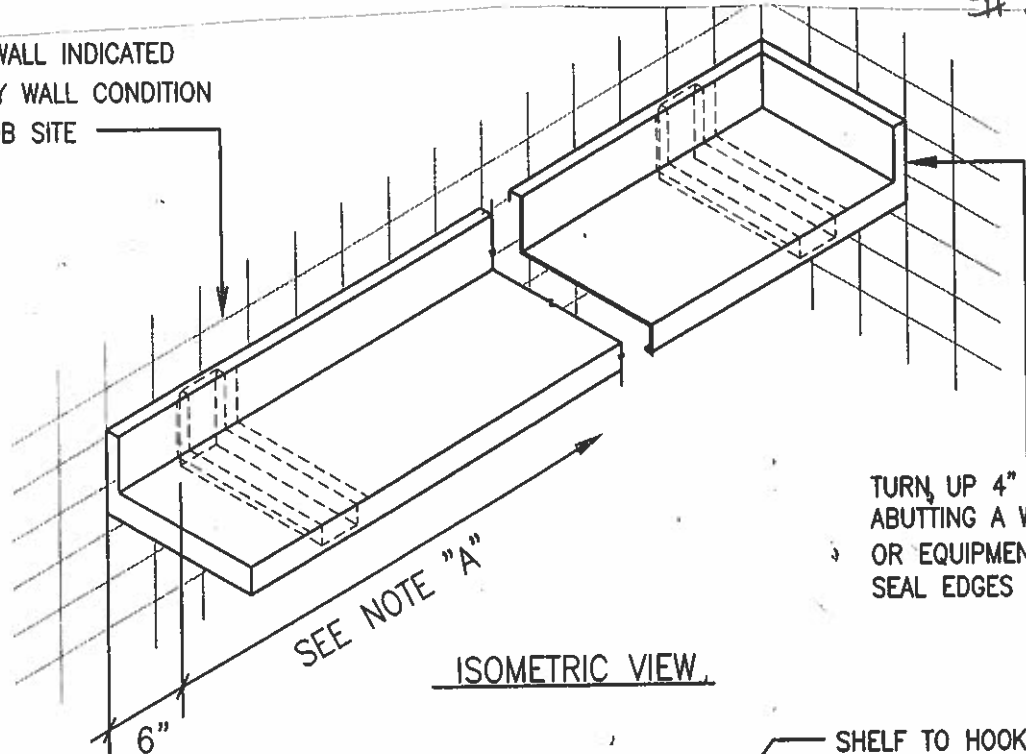
CUSTOM FABRICATION

- 2'-9" W x 1'-1"D x 4"H Splash
- 18 Ga. St. Stl. Shelf
- 14 GA St. Stl. Concealed Brackets
- See Detail SD-1
- NSF Construction



#23

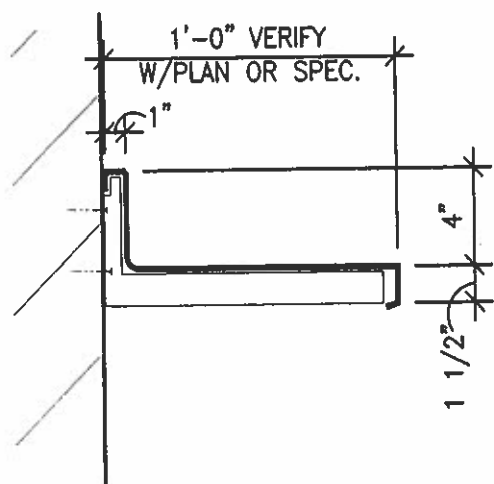
TILE WALL INDICATED  
VERIFY WALL CONDITION  
AT JOB SITE



SEE NOTE "A"

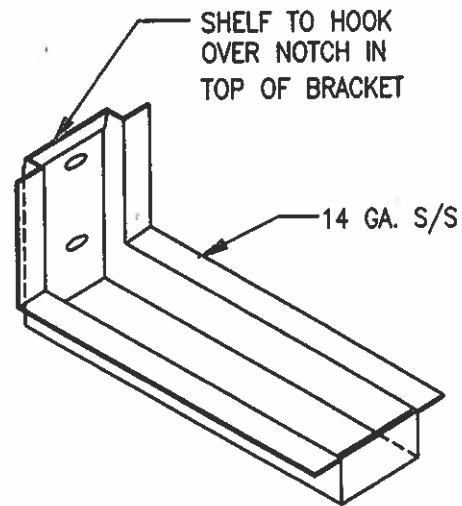
TURN UP 4" WHEN  
ABUTTING A WALL  
OR EQUIPMENT.  
SEAL EDGES

ISOMETRIC VIEW



SECTION VIEW

SCALE: 1 1/2"=1'-0"



ISOMETRIC BRACKET

NOTE "A"

MAXIMUM SPACING BETWEEN BRACKETS  
NOT TO EXCEED 42", SECURE BRACKETS  
TO WALL W/ A MIN. OF TWO-APPROPRIATE  
FASTENERS TO SUPPORT HEAVY LOADS.

CONSULTANT: FOODSERVICE DESIGN by JEAN WWW.FSDKITCHENS.COM (661) 444-1762 jrfsd@aol.com	DETAIL TITLE: CONCEALED WALL SHELF DETAIL  N.S.F. CONSTRUCTION	PROJECT:  NOT TO SCALE	DETAIL NO.:  SD-1
---	--	------------------------------	-------------------------

ITEM 24

ADA HAND SINK  
WITH BUILT IN SOAP & PAPER TOWEL DISPENSER  
(1) ONE EA.

“ADVANCE TABCO”

# 7-PS-46

# 7-PS-16F – Optional Side Splash

- Dimensions: 20”W x 24”D x 27”H
- Extended swing faucet
- Sink bowl: 14” x 16” x 5”
- Under mount towel dispenser
- Deck mount soap dispenser
- Stainless steel skit with removable access panel
- Option: Side Splash – weld in factory on **left side** of hand sink
- Plumbing: 1/2” H & C W, 1 1/2" Drain, direct waste
- NSF Listed



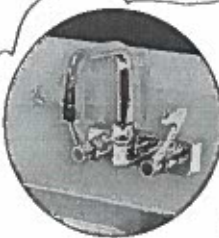
STAINLESS STEEL  
**HAND SINKS** #24  
**A.D.A COMPLIANT LAVATORIES WITH TAPERED SKIRT**  
 Conforms To NSF 61/9 Lead Free Requirements



Includes K-175  
Electronic Faucet



7-PS-41



Includes Extended  
Swing Faucet



7-PS-46



Includes K-175  
Electronic Faucet



7-PS-77-E



Includes Extended  
Swing Faucet



7-PS-77-W

Item #: \_\_\_\_\_ Qty #: \_\_\_\_\_  
 Model #: \_\_\_\_\_  
 Project #: \_\_\_\_\_

**7-PS-41 / 7-PS-46 FEATURES:**

One piece **Deep Drawn** sink bowl design.  
 Sink bowl is 14" x 16" x 5".  
 Undermount Towel Dispenser.  
 Deck mount liquid soap dispenser.  
 Stainless Steel Skirt with Removable Access Panel and enclosed bottom for storage.  
 "Z" bracket wall mounting plate  
 Stainless steel 1-1/2" IPS basket drain.

**Additional Unit Features:**

**7-PS-41:**

K-175 Hands Free AC/DC operated gooseneck faucet.

**7-PS-46:**

K-206 6" Extended splash mount gooseneck faucet with wrist handles.

**7-PS-77-E / 7-PS-77-W FEATURES:**

One piece **Deep Drawn** sink bowl design.  
 Sink bowl is 14" x 16" x 5".  
 Deck mount liquid soap dispenser.  
 Stainless Steel Skirt with Removable Access Panel and enclosed bottom for storage.  
 "Z" bracket wall mounting plate  
 Stainless steel 1-1/2" IPS basket drain.

**Additional Unit Features:**

**7-PS-77-E:**

K-175 Hands Free AC/DC operated gooseneck faucet.

**7-PS-77-W:**

K-206 6" Extended splash mount gooseneck faucet with wrist handles.

**CONSTRUCTION:**

All TIG welded.  
 Welded areas blended to match adjacent surfaces and to a satin finish.  
 Die formed Countertop Edge with a 3/8" No-Drip offset.  
 Bowl made from One sheet of stainless steel - No Seams.

**MATERIAL:**

Heavy gauge type 304 series stainless steel.  
 Skirt - 16 gauge type 304 series stainless steel.  
 Wall mounting bracket is Galvanized and of offset design.  
 All fittings are brass / chrome plated unless otherwise indicated.

**MECHANICAL:**

Faucet supply is 1/2" IPS male thread hot and cold.  
**Faucet Flow Rate:** 1.0 GPM/3.8 LPM aerator. 60 PSI.

**⚠ WARNING:**

Equipment that includes a faucet may expose you to chemicals, including lead, that are known to the State of California to cause cancer or birth defects or other reproductive harm. For more Info., visit [www.p65warnings.ca.gov](http://www.p65warnings.ca.gov).



Customer Service Available To Assist You **1-800-645-3166** 8:30 am - 7:00 pm E.S.T.

For Orders & Customer Service:

Email: [customer@advancetabco.com](mailto:customer@advancetabco.com) or Fax: 631-242-6900

For Smart Fabrication™ Quotes:

Email: [smartfab@advancetabco.com](mailto:smartfab@advancetabco.com) or Fax: 631-586-2933

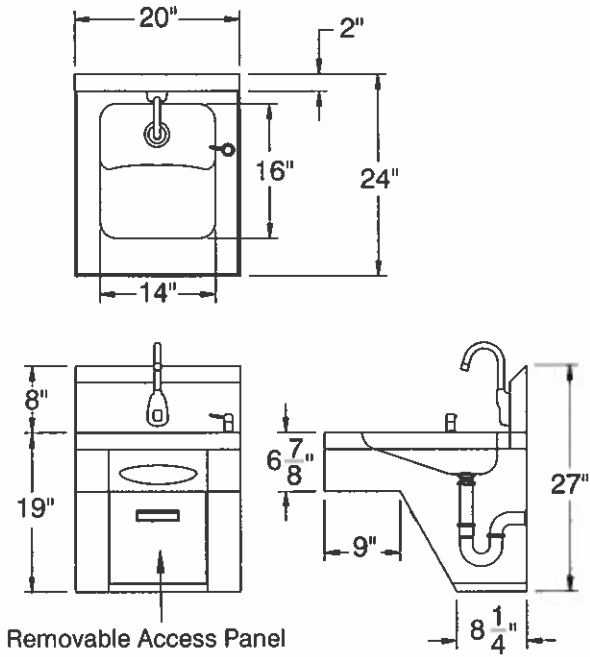
# DIMENSIONS and SPECIFICATIONS #24

TOL Overall: ± .500" Interior: ± .250"

FITTINGS SUPPLIED AS SHOWN

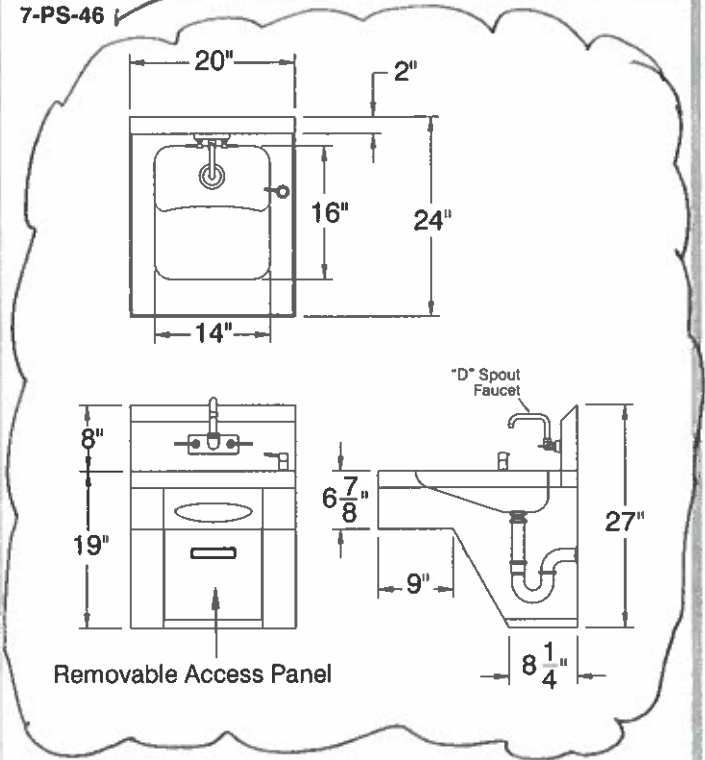
ALL DIMENSIONS ARE TYPICAL

7-PS-41



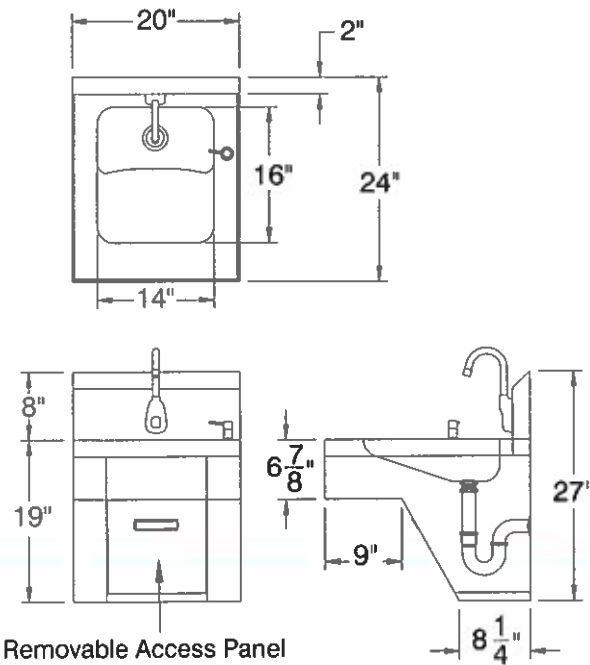
65 lbs.

7-PS-46 ✓



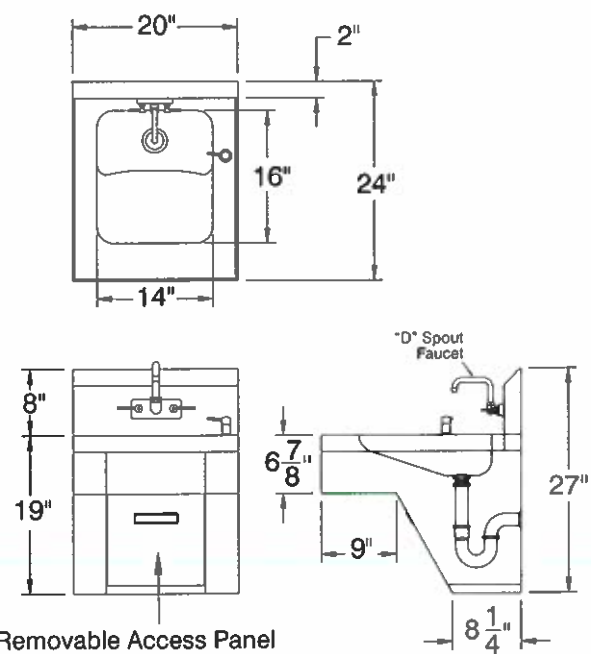
65 lbs.

7-PS-77-E



65 lbs.

7-PS-77-W



65 lbs.



REF-B

325 Wireless Boulevard, Hauppauge, NY 11788

ADVANCE TABCO is constantly engaged in a program of improving our products. Therefore, we reserve the right to change specifications without prior notice.

© ADVANCE TABCO, FEBRUARY 2020



16 GAUGE 300 SERIES STAINLESS STEEL

# HAND SINK SIDE SPLASHES WELDED & BOLT-ON

### FEATURES:

Shields surround work area from splashes and prevents cross-contamination.

Available as 7-3/4" and 12" high.

#### Welded Side Splashes

Available as 7-3/4", 12" & 24" high.

#### Factory installed only.

#### Bolt-on Single Panel Side Splash

Available as 7-3/4" and 12" high.

Includes holes only. Hardware not included.

### CONSTRUCTION:

**Welded Side Splashes** (factory installed) are spot welded and polished to a satin finish.

**Bolt-on Side Splashes** (field installation) require drilling holes in hand sink to match holes in side splash. Mounting hardware is not included.



24" Side Splashes With Included Back Panel Shown  
Factory Installed Only



Single Sided  
7-3/4" Side Splash Shown  
Factory Installed Only



Double Sided Bolt-On  
7-3/4" Side Splashes Shown  
Hardware Not Included

Item #: 24 Qty #: \_\_\_\_\_  
 Model #: \_\_\_\_\_  
 Project #: \_\_\_\_\_

## WELDED

### One Side Splash ✓

### Two Side Splashes

	Model #	Approx. Weight	Approx. Cu. Ft.	Model #	Approx. Weight	Approx. Cu. Ft.	O.A. Splash Size W x H	Description
7-3/4" High Welded Side Splashes	7-PS-16	5 lbs.	1	7-PS-17	12 lbs.	1	15-1/4" x 9-3/4"	For 10" x 14" Bowls w/ Splash Mt. Faucets
	7-PS-16A	5 lbs.	1	7-PS-17A	12 lbs.	1	16-1/8" x 9-3/4"	For 9" x 9" Bowls
	7-PS-16B	5 lbs.	1	7-PS-17B	13 lbs.	1	17-1/8" x 9-3/4"	For 10" x 14" Bowls w/ Deck Mt. Faucets
	7-PS-16C	7 lbs.	1	7-PS-17C	15 lbs.	1	21-3/4" x 9-3/4"	For 16" x 20" Bowls
	7-PS-16D	8 lbs.	1	7-PS-17D	16 lbs.	1	23-3/8" x 9-3/4"	For Handicapped Hand Sinks
	7-PS-16E	6 lbs.	1	7-PS-17E	14 lbs.	1	19-5/8" x 9-3/4"	For 14" (F/B) x 16" Bowls
	7-PS-16F ✓	6 lbs.	1	7-PS-17F ✓	14 lbs.	1	21-1/8" x 9-3/4"	For 16" (F/B) x 14" Bowls
12" High Welded Side Splashes	7-PS-11	6 lbs.	1	7-PS-15	14 lbs.	1	15-1/4" x 14"	For 10" x 14" Bowls w/ Splash Mt. Faucets
	7-PS-11A	6 lbs.	1	7-PS-15A	14 lbs.	1	16-1/8" x 14"	For 9" x 9" Bowls
	7-PS-11B	6 lbs.	1	7-PS-15B	14 lbs.	1	17-1/8" x 14"	For 10" x 14" Bowls w/ Deck Mt. Faucets
	7-PS-11C	8 lbs.	1	7-PS-15C	18 lbs.	1	21-3/4" x 14"	For 16" x 20" Bowls
	7-PS-11D	9 lbs.	1	7-PS-15D	20 lbs.	1	23-3/8" x 14"	For Handicapped Hand Sinks
	7-PS-11E	7 lbs.	1	7-PS-15E	16 lbs.	1	19-5/8" x 14"	For 14" (F/B) x 16" Bowls
	7-PS-11F	8 lbs.	1	7-PS-15F	18 lbs.	1	21-1/8" x 14"	For 16" (F/B) x 14" Bowls
24" High Welded Side Splashes	<b>NOTE:</b> 24" High Side Splashes Include A Rear Panel That Matches The Height Of The Side Panels. (Only Available As Two Side Design, Single Side Not Offered)			7-PS-28	28 lbs.	1	15-1/4" x 26"	For 10" x 14" Bowls w/ Splash Mt. Faucets
				7-PS-28A	28 lbs.	1	16-1/8" x 26"	For 9" x 9" Bowls
				7-PS-28B	28 lbs.	1	17-1/8" x 26"	For 10" x 14" Bowls w/ Deck Mt. Faucets
				7-PS-28C	36 lbs.	1	21-3/4" x 26"	For 16" x 20" Bowls
				7-PS-28D	40 lbs.	1	23-3/8" x 26"	For Handicapped Hand Sinks
				7-PS-28E	32 lbs.	1	19-5/8" x 26"	For 14" (F/B) x 16" Bowls
				7-PS-28F	36 lbs.	1	21-1/8" x 26"	For 16" (F/B) x 14" Bowls

## BOLT-ON

Hardware Not Included

### 7-3/4" High

### 12" High

Model #	O.A. Splash Size W x H	Approx. Weight	Approx. Cu. Ft.	Model #	O.A. Splash Size W x H	Approx. Weight	Approx. Cu. Ft.	Description
7-PS-27	15-1/4" x 10"	5 lbs.	1	7-PS-13	15-1/4" x 14"	6 lbs.	1	For 10" x 14" Bowls w/ Splash Mt. Faucets
7-PS-27A	16-1/8" x 10"	6 lbs.	1	7-PS-13A	16-1/8" x 14"	7 lbs.	1	For 9" x 9" Bowls
7-PS-27B	17-1/8" x 10"	6 lbs.	1	7-PS-13B	17-1/8" x 14"	7 lbs.	1	For 10" x 14" Bowls w/ Deck Mt. Faucets
7-PS-27C	21-3/4" x 10"	6 lbs.	1	7-PS-13C	21-3/4" x 14"	7 lbs.	1	For 16" x 20" Bowls
7-PS-27D	23-3/8" x 10"	7 lbs.	1	7-PS-13D	23-3/8" x 14"	8 lbs.	1	For Handicapped Hand Sinks
7-PS-27E	19-5/8" x 10"	7 lbs.	1	7-PS-13E	19-5/8" x 14"	8 lbs.	1	For 14" (F/B) x 16" Bowls
7-PS-27F	21-1/8" x 10"	7 lbs.	1	7-PS-13F	21-1/8" x 14"	8 lbs.	1	For 16" (F/B) x 14" Bowls



Customer Service Available To Assist You 1-800-645-3166 8:30 am - 7:00 pm E.S.T.

For Orders & Customer Service:

Email: [customer@advancetabco.com](mailto:customer@advancetabco.com) or Fax: 631-242-6900

For Smart Fabrication™ Quotes:

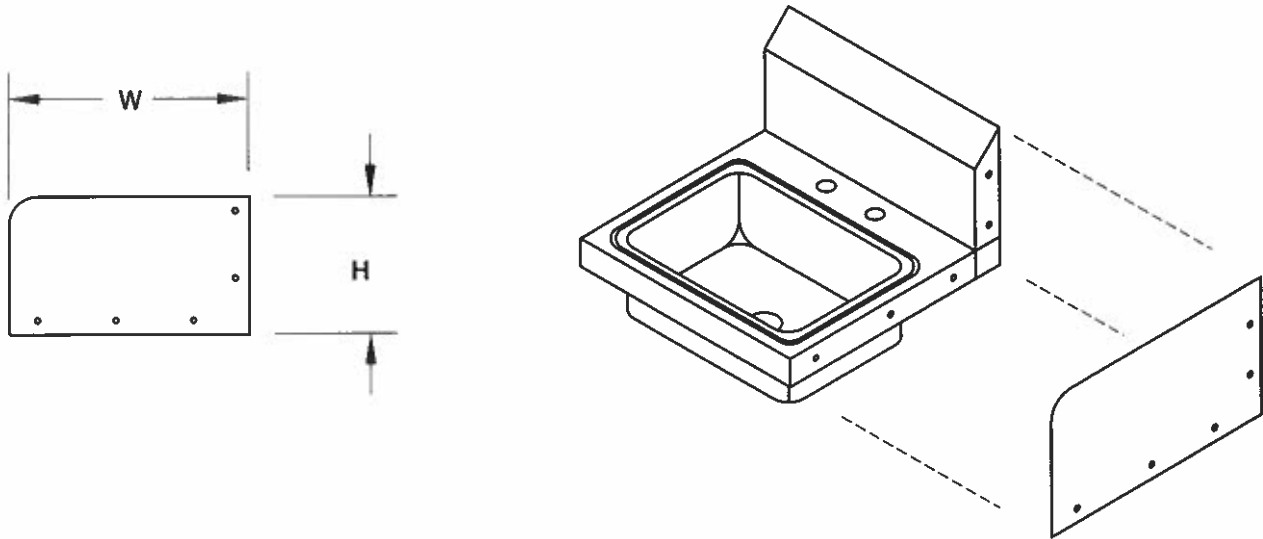
Email: [smartfab@advancetabco.com](mailto:smartfab@advancetabco.com) or Fax: 631-586-2933

# DIMENSIONS and SPECIFICATIONS

TOL  $\pm$  .500"

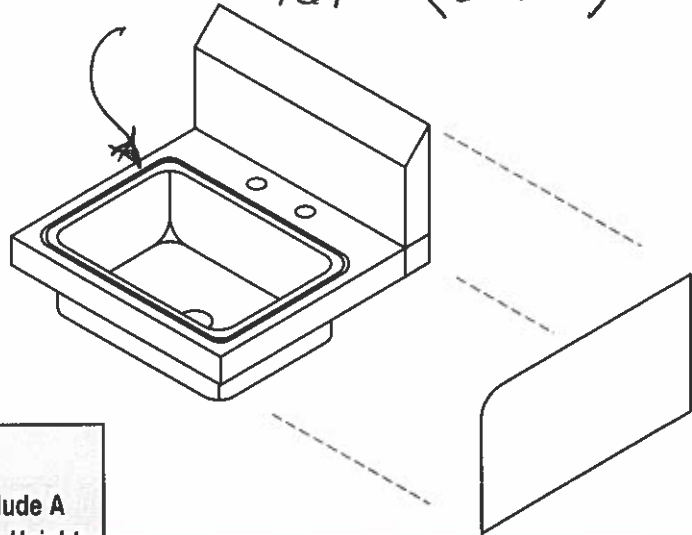
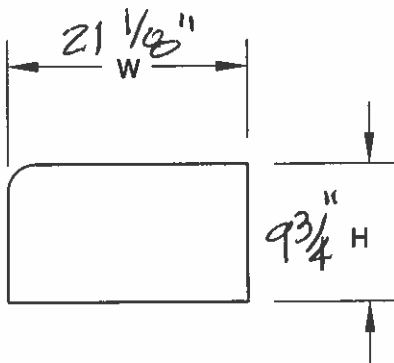
ALL DIMENSIONS ARE TYPICAL

## BOLT-ON SIDE SPLASHES (Hardware Not Included)



## WELDED SIDE SPLASHES (Factory Installed Only)

✓ #7-PS-16F (LEFT)



### NOTE:

24" High Side Splashes Include A Rear Panel That Matches The Height Of The Side Panels And Is To Be Secured To The Rear Wall.

Rear Panel Mounting Holes Are Provided. (Hardware Not Included).



REF-B

325 Wireless Boulevard, Hauppauge, NY 11788

ADVANCE TABCO is constantly engaged in a program of improving our products. Therefore, we reserve the right to change specifications without prior notice.

© ADVANCE TABCO, APRIL 2020

Alex Fiore Teen Center Remodel Project

Item 25

SPARE NO.

Item 26

EXISTING PASS THRU SERVICE WINDOWS WITH  
SECURITY ROLL DOWN DOORS

EXISTING / REMAIN

- One pass thru service window at Item 09 - Front Service Counter
- One pass thru service window at Item 25 - Back Service Counter



Alex Fiore Teen Center Remodel Project

ITEM 27

MOP SINK

“KOHLER”  
# K-6710

- Enameled cast iron, acid resistant
- Corner mount
- Floor mount
- Color: White

Plumbing: 2 7/8” drain hole

Dimensions: 28” W x 28”D x 13”H.

See equipment specification sheet for more information.

# KOHLER®

#027  
**Whitby™**  
Service Sink  
K-6710

## Features

- Corner basin.
- Acid-resistant enamel finish.
- Without overflow.
- No faucet holes; requires wall-mount faucet.
- 28" (711 mm) x 28" (711 mm)

## Material

- KOHLER® enameled cast iron.

## Installation

- Floor-mount

## Optional Accessories

K-8940 Sink Rim Guard



## Codes/Standards

ASME A112.19.1/CSA B45.2

## KOHLER® Lifetime Limited Warranty for Cast Iron Components

See website for detailed warranty information.

## Available Color/Finishes

*Color tiles intended for reference only.*

Color	Code	Description
-------	------	-------------

	0	White
--	---	-------

USA/Canada: 1-800-4KOHLER (1-800-456-4537)

Kohler Co. reserves the right to make revisions without notice to product specifications.

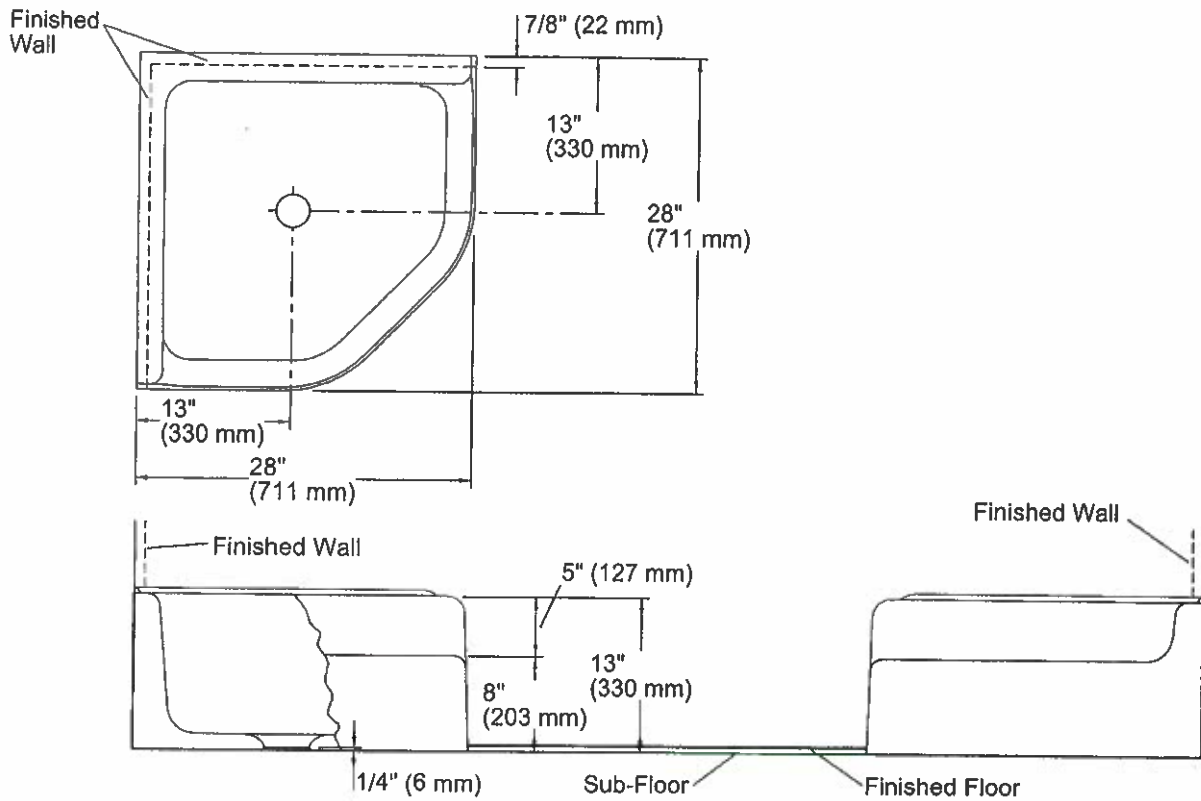
For the most current Specification Sheet, go to [www.kohler.com](http://www.kohler.com).

8-31-2017 04:41

THE BOLD LOOK  
OF **KOHLER.**

# KOHLER®

#27  
**Whitby™**  
Service Sink  
K-6710



### Technical Information

All product dimensions are nominal.

Bowl configuration: Single  
Installation: Standalone  
Bowl area (Only) Length: 23" (584 mm)  
Width: 23" (584 mm)  
Water depth: 6-3/4" (171 mm)  
Drain hole: 2-7/8" (73 mm)

### Notes

Install this product according to the installation instructions.

USA/Canada: 1-800-4KOHLER (1-800-456-4537)

Kohler Co. reserves the right to make revisions without notice to product specifications.  
For the most current Specification Sheet, go to [www.kohler.com](http://www.kohler.com).

8-31-2017 04:41

THE BOLD LOOK  
OF **KOHLER.**

Alex Fiore Teen Center Remodel Project

ITEM 28

SERVICE SINK FAUCET  
WITH LONG SPOUT AND VACUUM BREAKER

“FISHER MFG”  
# 8253

- Wall mount
- ¾” garden hose thread outlet
- Atmospheric vacuum breaker

Plumbing: ½” hot and cold water connections. 13.6 GPM @ 80PSI

#28

SPEC. FAHR-SSL-8AWZLL REV. C

APPLICATION:

PRODUCT NAME:  
SERVICE SINK FAUCET WITH  
LONG SPOUT AND VACUUM BREAKER

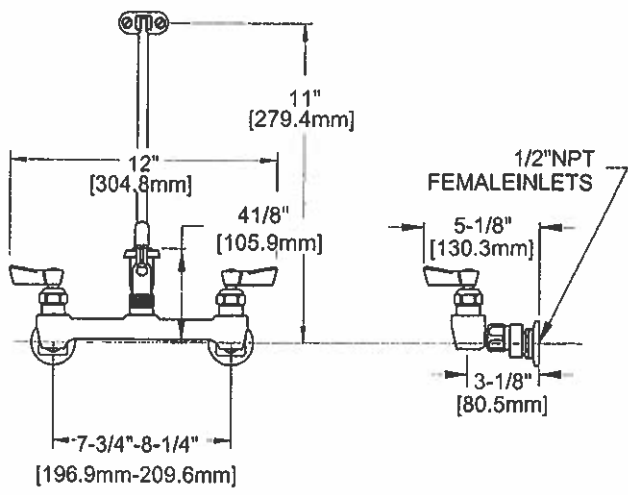
JOB NAME:

SPECIAL CONFIGURATION  
CHECK BASE MODEL AND OPTIONS

QUANTITY: (1) ONE

ITEM NO. #28

MODEL:  
■ 8253



OPTIONS OR MODIFICATIONS:

- SUPPLY LINES (24" OR 36") CIRCLE LENGTH
- NIPPLES
- ELBOWS
- VANDAL RESISTANT KIT
- HANDLES (CROSS OR WRIST) CIRCLE STYLE
- OTHER \_\_\_\_\_

FEATURES:

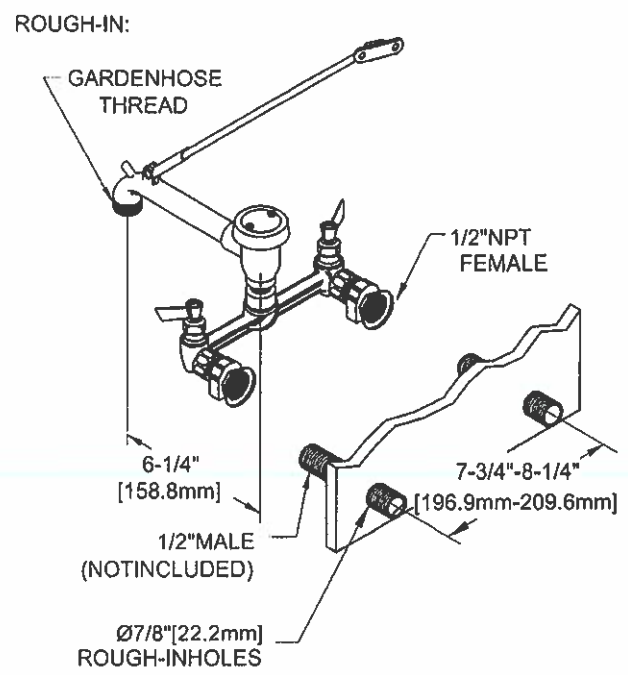
- CONTROL VALVE
- \* ECCENTRICS ADJUST FROM 7-3/4" TO 8-1/4"
  - \* INTERNAL SPRING LOADED CHECK VALVES
  - \* SWIVELING SEAT DISKS
  - \* HOT SIDE STEM - RIGHT HAND
  - \* COLD SIDE STEM - LEFT HAND
  - \* STAINLESS STEEL SEATS
  - \* STAINLESS STEEL SEAT SCREWS
  - \* STAINLESS STEEL HANDLE SCREWS
  - \* ATMOSPHERIC VACUUM BREAKER
  - \* 3/4" GARDEN HOSE THREAD OUTLET

SYSTEM LIMITS

- \* TEMP: 40°F MIN. TO 160°F MAX.
- \* PRESSURE 200 PSI MAX. STATIC
- \* 13.6 GPM AT 80 PSI

SHIPPING WEIGHT

\* 6.25 LBS



ANSI/A112.18.1M

# FISHER

FISHER MANUFACTURING COMPANY  
 TOLL FREE: 800-421-6162 - FAX: 800-832-8238  
 information@fisher-mfg.com - www.fisher-mfg.com

Alex Fiore Teen Center Remodel Project

ITEM 29

CHEMICAL WALL SHELF W/ BRACKETS  
HEAVY DUTY

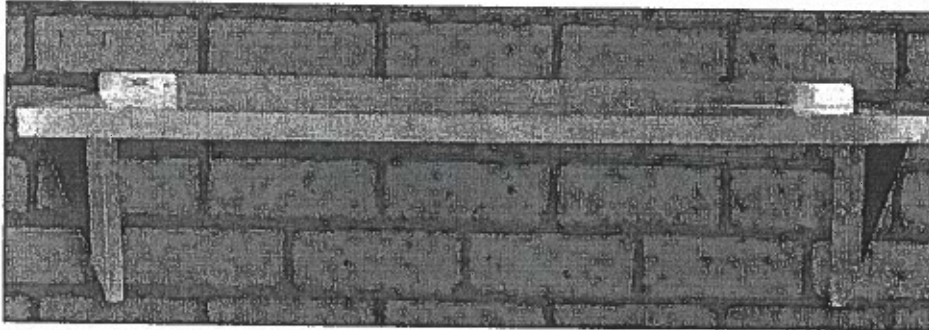
“REGENCY”  
# 600WS1236

- 16 Ga. Stainless steel
- Load capacity 250 lbs.
- 2 stainless steel brackets

Dimensions: 36” W x 12” D x 1 1/2” front edge, 1 1/2” back edge

# STAINLESS STEEL SOLID WALL SHELVES

#29  
**REGENCY**  
Space Solutions



## FEATURES

- Type 430 stainless steel construction
- Easy to clean
- No sharp edges

## SPECIFICATIONS

NSF

ITEM	GAUGE	DEPTH	WIDTH	LOADING CAPACITY	WEIGHT
600WS1224	18 Gauge	12"	24"	210 lb.	7 lb.
600WS1236	18 Gauge	12"	36"	230 lb.	10 lb.
600WS1248	18 Gauge	12"	48"	255 lb.	12 lb.
600WS1260	18 Gauge	12"	60"	285 lb.	15 lb.
600WS1272	18 Gauge	12"	72"	285 lb.	18 lb.
600WS1284	18 Gauge	12"	84"	340 lb.	21 lb.
600WS1296	18 Gauge	12"	96"	365 lb.	23 lb.
600WS1524	18 Gauge	15"	24"	255 lb.	9 lb.
600WS1536	18 Gauge	15"	36"	300 lb.	11 lb.
600WS1548	18 Gauge	15"	48"	345 lb.	15 lb.
600WS1560	18 Gauge	15"	60"	395 lb.	17 lb.
600WS1572	18 Gauge	15"	72"	395 lb.	21 lb.
600WS1584	18 Gauge	15"	84"	505 lb.	24 lb.
600WS1596	18 Gauge	15"	96"	550 lb.	27 lb.
600WS1224HD	16 Gauge	12"	24"	230 lb.	9 lb.
600WS1236HD	16 Gauge	12"	36"	250 lb.	12 lb.
600WS1248HD	16 Gauge	12"	48"	280 lb.	15 lb.
600WS1260HD	16 Gauge	12"	60"	315 lb.	19 lb.
600WS1272HD	16 Gauge	12"	72"	315 lb.	23 lb.
600WS1284HD	16 Gauge	12"	84"	375 lb.	26 lb.
600WS1296HD	16 Gauge	12"	96"	400 lb.	29 lb.
600WS1524HD	16 Gauge	15"	24"	280 lb.	11 lb.
600WS1536HD	16 Gauge	15"	36"	325 lb.	15 lb.
600WS1548HD	16 Gauge	15"	48"	375 lb.	18 lb.
600WS1560HD	16 Gauge	15"	60"	435 lb.	21 lb.
600WS1572HD	16 Gauge	15"	72"	435 lb.	26 lb.
600WS1584HD	16 Gauge	15"	84"	555 lb.	30 lb.
600WS1596HD	16 Gauge	15"	96"	605 lb.	33 lb.
600WS1824HD	16 Gauge	18"	24"	300 lb.	13 lb.
600WS1836HD	16 Gauge	18"	36"	340 lb.	17 lb.
600WS1848HD	16 Gauge	18"	48"	385 lb.	20 lb.
600WS1860HD	16 Gauge	18"	60"	450 lb.	24 lb.
600WS1872HD	16 Gauge	18"	72"	450 lb.	30 lb.
600WS1884HD	16 Gauge	18"	84"	560 lb.	34 lb.
600WS1896HD	16 Gauge	18"	96"	605 lb.	37 lb.

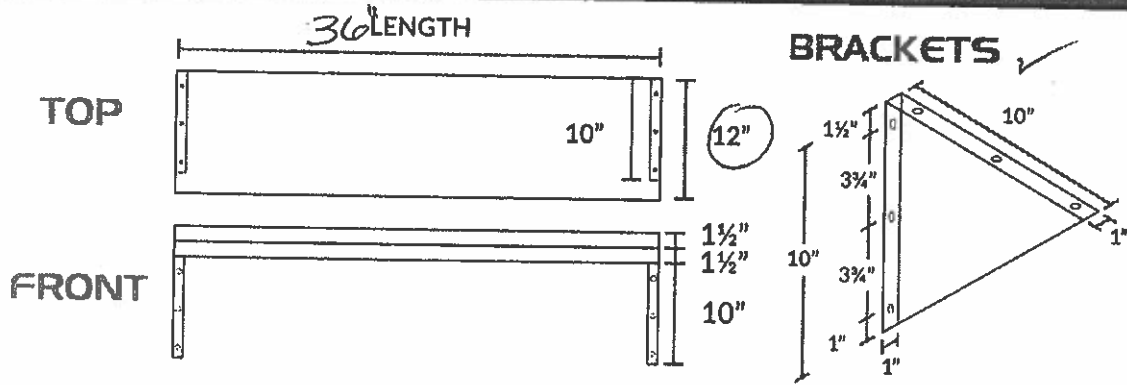
18 Gauge Wall Shelves 72", 84" & 96" in Length and 16 Gauge Wall Shelves 60", 72", 84" & 96" in Length Feature 3 Brackets. All Others Feature 2 Brackets.

[REGENCYTABLESANDSINKS.COM](http://REGENCYTABLESANDSINKS.COM)

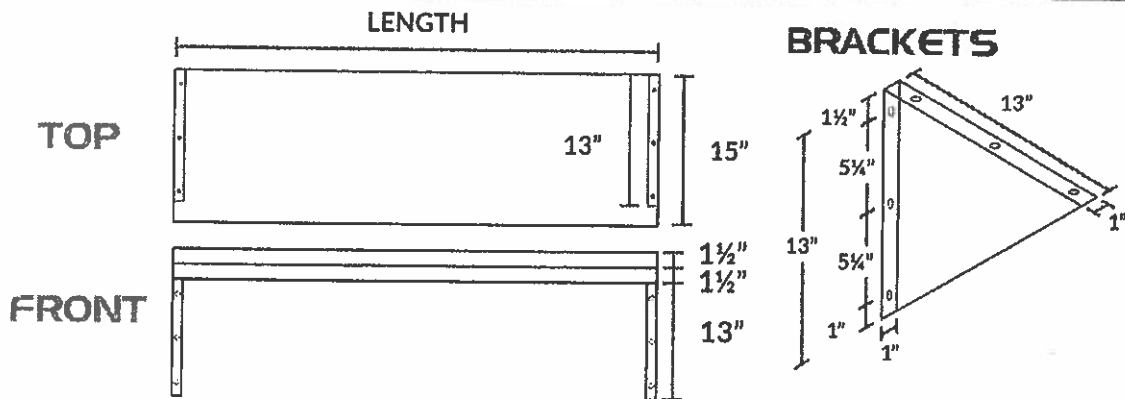
# STAINLESS STEEL SOLID WALL SHELVES



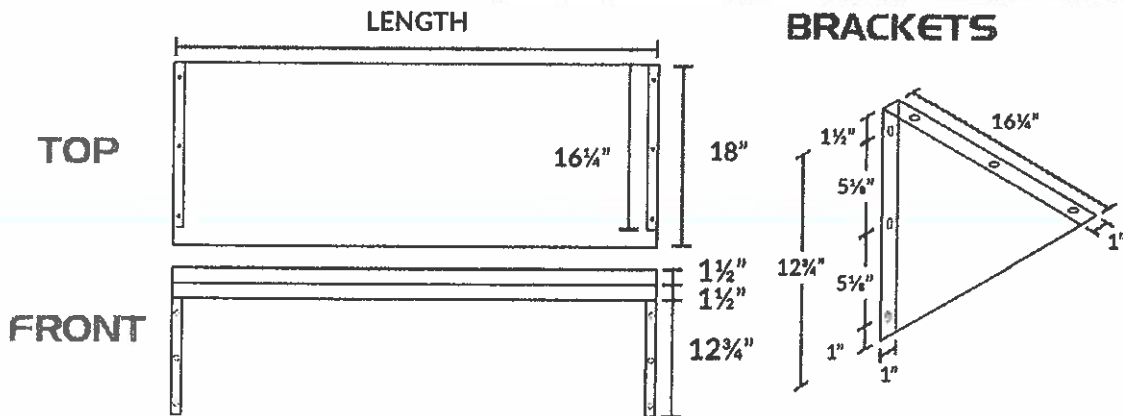
## 12" DEEP SHELVES



## 15" DEEP SHELVES



## 18" DEEP SHELVES





Alex Fiore Teen Center Remodel Project

ITEM 30

MOP / BROOM HOLDER  
(Closet organizer/Tool holder kit)

“RUBBERMAID”  
# 1992

- S-hooks holds 5/8” to 1 ¼” handle diameters
- Color: Grey

Dimensions: 18” L x 3.2”W x 4.2”H

Weight load capacity 600 pounds each shelf

#30

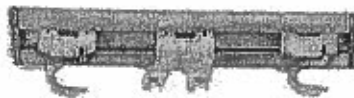


## Cleaning > Organizational Tools

Helps increase productivity and efficiency through better tool storage and access.

- S-hooks hold 5/8" to 1 1/4" (1.6 cm to 3.2 cm) handle diameters.
- Deep double hooks afford easy accessibility.

### 1992 Closet Organizer/Tool Holder Kit



#### SPECIFICATIONS

	U.S.	Metric
Depth:	4.2 in	10.8 cm
Length:	18.0 in	45.7 cm
Width:	3.2 in	8.3 cm
Height:	4.2 in	10.8 cm
Carton Cube:	0.92 ft <sup>3</sup>	0.02 m <sup>3</sup>
Ship Weight/Carton:	6.54 lb	2.97 kg
Pack Quantity:		6
Cartons Per Pallet:		50

#### ADDITIONAL INFORMATION:

Instructions: RCP\_IS1992.pdf

Chemical Resistance Guide: chem.pdf

Frequently Asked Questions

#### AVAILABLE COLORS

Order #	Color	Product UPC/ UCC Code
---------	-------	--------------------------

#30

FG199200 GRAY

GRAY

086876127881 /

10086876127888



Gray  
GRAY

### REGULATORY INFORMATION

CDC – Centers for Disease Control and Prevention

Guidelines for Environmental Infection Control in Healthcare Facilities Recommendations of CDC and the Healthcare Infection Control Practices Advisory Committee (HICPAC).

Follow proper procedures for effective uses of mops, cloths, and solutions.

Dept. of Homeland Security – Emergency Preparedness

Mounted to a portable cart this can provide organization of handles and other tools that maybe used for patient or equipment decon.

OSHA – Occupational Safety and Health Administration

Clean and sanitary work environments to prevent contact with blood or OPIM. Bloodborne Pathogens Standard [1910.1030(d)(4)(i)].

The Joint Commission

Standard EC.1.20 The hospital maintains a safe environment.

Standard IC.3.10 Based on risks, the hospital establishes priorities and sets goals for preventing the development of healthcare-associated infections within the hospital.

Standard EC.4.10 Emergency management

### Products in Closet Organizer and Tool Holder

Item #	Description	Depth	Length	Width	Height
1992	Closet Organizer/Tool Holder Kit	4 1/4 in	18.0 in	3.25 in	4.2 in
1993	Closet Organizer/Tool Holder Kit	4 1/4 in	34.0 in	3.25 in	4.2 in
1994	Value Kit (2 S-Hooks/1 Double Hook)	4 1/4 in	3.0 in	3.25 in	4.2 in

**Work Smarter.**

ITEM 31

CHROME WIRE SHELVING  
LOT

“REGENCY”

# 460EC1854 – (2) kits

# 460EC1836 – (1) kit

# 460EC74 (POSTS)

- Per Kitchen Equipment Plan – Sheet K-1
- Each kit to be (4) four tier high
- Adjustable bullet foot per post
- NSF Listed

**REGENCY**

Commercial  
**Space Solutions**

# 31

## REGENCY NSF CHROME WIRE SHELVING

Regency Space Solutions is your source for quality, affordable wire shelving. Offering a large selection of NSF Listed wire shelves and posts, Regency Space Solutions gives you the freedom to create the perfect shelving unit at the perfect price.

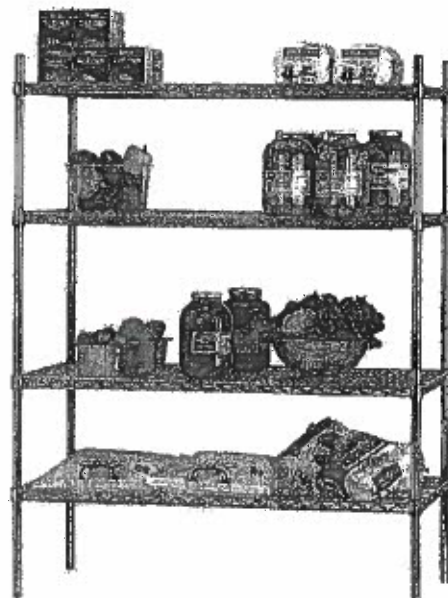
### Chrome Plated Wire Shelving

Chrome plated wire shelving is ideal for use in areas in which moisture is at a minimum, including:

- o Dry storage
- o Garage storage
- o Personal storage
- o Heated environments
- o Warehouse use
- o Retail

18X54 (2) KITS (AT EA)

18X36 (1) KIT (AT)



### Quick Assembly

Regency Space Solutions' NSF Listed wire shelving is easy to assemble using split sleeves. Simply snap two split sleeves around each wire post to keep shelves level every time. Use the incrementally notched lines to help you install a level shelf. Each wire shelf comes complete with (4) pairs of split sleeves (eight total split sleeves).

### Air Flow

Wire shelving offers unparalleled air flow between and around products thanks to its wire design.

### Versatility

Regency Space Solutions' wire shelving offers the rigidity of solid metal with the adjustability of plastic. No tools or hardware required. Simply move the split sleeves up or down the posts for quick, efficient change.

### Weight Capacity

- o Each shelf up to 48" in length: 600 lbs.
- o Longer shelves above 54" in length: 450 lbs.



# Shelving

REGENCY  
Space Solutions

#31

## Wire Shelves

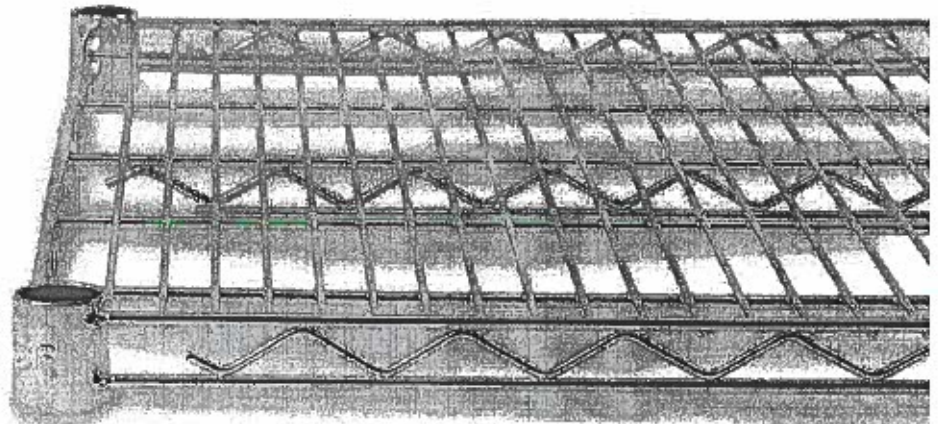
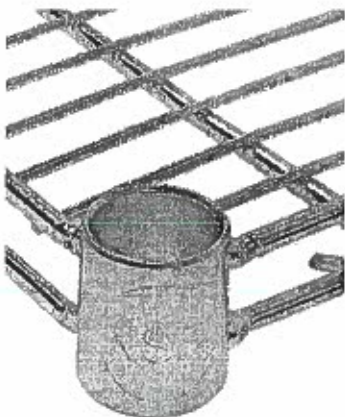
These chrome wire shelves are for use only in dry storage and heated environments. They're made of a durable, chrome plated metal, with a clear epoxy coating.

When combined with additional shelves, posts, and accessories (sold separately), these Regency epoxy-coated chrome wire shelves are capable of holding up to 600 pounds of evenly distributed weight.

- May be used with Regency posts, casters, and handles.
- Chrome plated wire with clear epoxy coating
- NSF Listed

Item #	Width x Length (in.)	Weight
460EC1424	14 x 24	5.40 lbs.
460EC1430	14 x 30	6.39 lbs.
460EC1436	14 x 36	7.50 lbs.
460EC1442	14 x 42	8.49 lbs.
460EC1448	14 x 48	9.48 lbs.
460EC1454	14 x 54	11.13 lbs.
460EC1460	14 x 60	12.24 lbs.
460EC1472	14 x 72	14.11 lbs.
460EC1824	18 x 24	6.06 lbs.
460EC1830	18 x 30	7.17 lbs.
460EC1836	✓ (18 x 36) ✓ (4)	8.27 lbs.
460EC1842	18 x 42	9.37 lbs.
460EC1848	18 x 48	10.58 lbs.
460EC1854	✓ (18 x 54) ✓ (8)	12.35 lbs.
460EC1860	18 x 60	13.45 lbs.
460EC1872	18 x 72	15.87 lbs.

Item #	Width x Length (in.)	Weight
460EC2124	21 x 24	6.50 lbs.
460EC2130	21 x 30	7.72 lbs.
460EC2136	21 x 36	9.04 lbs.
460EC2142	21 x 42	10.14 lbs.
460EC2148	21 x 48	11.35 lbs.
460EC2154	21 x 54	12.90 lbs.
460EC2160	21 x 60	14.22 lbs.
460EC2172	21 x 72	18.74 lbs.
460EC2424	24 x 24	7.61 lbs.
460EC2430	24 x 30	8.93 lbs.
460EC2436	24 x 36	10.36 lbs.
460EC2442	24 x 42	11.79 lbs.
460EC2448	24 x 48	12.35 lbs.
460EC2454	24 x 54	15.21 lbs.
460EC2460	24 x 60	17.86 lbs.
460EC2472	24 x 72	21.83 lbs.

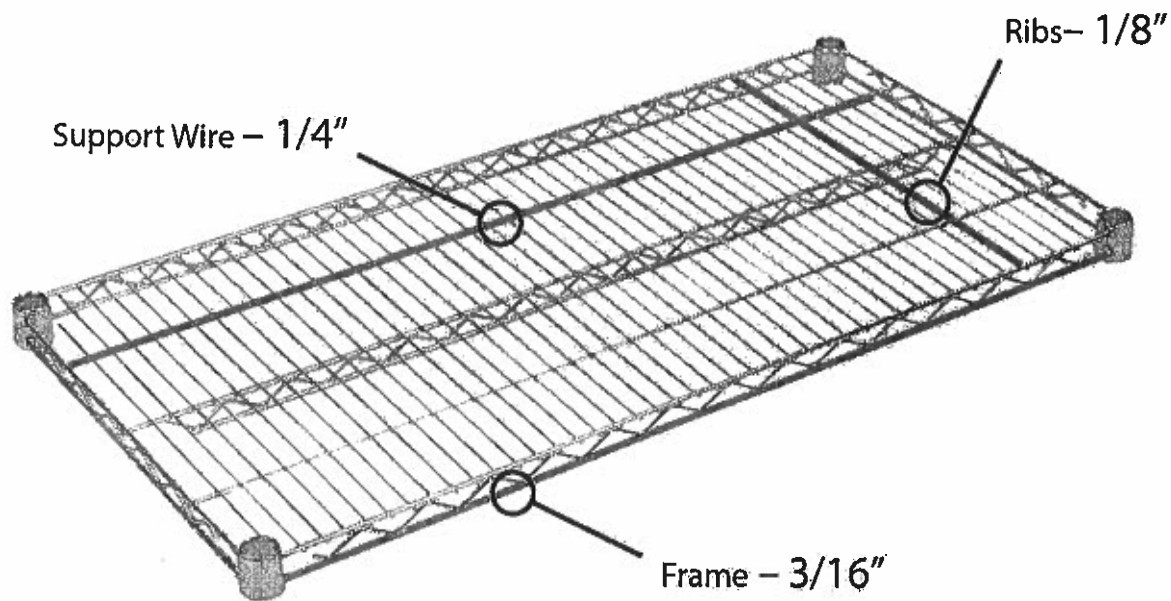


# Shelving

REGENCY  
Space Solutions

#31

Wire Diameter



## Posts

REGENCY

Space Solutions

#31

### Chrome Posts

These chrome shelving posts ship with an attached leveling foot that easily adjusts to accommodate uneven surfaces. Each post is for use only in dry storage and heated environments. It's made of a durable, chrome plated metal with a clear epoxy coating.

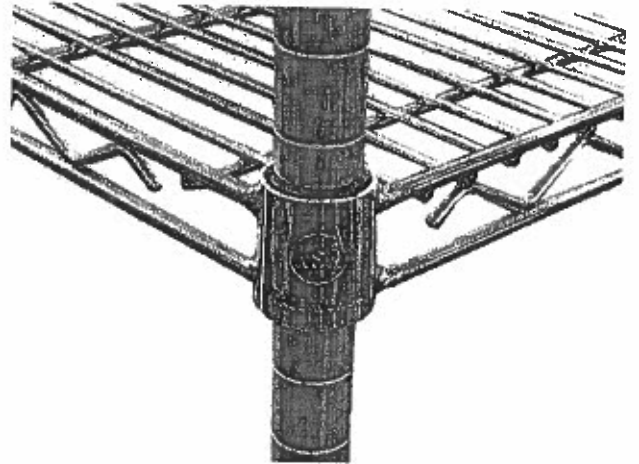
- Chrome plated wire with clear epoxy coating
- NSF Listed

### Includes Feet:

Item #	Length (in.)	Weight
460ECP8	8	0.61 lbs.
460ECP14	14	0.80 lbs.
460ECP34	34	1.40 lbs.
460ECP64	64	2.39 lbs.
460ECP74 ✓	74 ✓ (2)	2.63 lbs.
460ECP86	86	3.10 lbs.

### For Use with Casters:

Item #	Length (in.)	Weight
460ECPC8	8	0.61 lbs.
460ECPC14	14	0.80 lbs.
460ECPC34	34	1.40 lbs.
460ECPC64	64	2.39 lbs.
460ECPC74	74	2.63 lbs.
460ECPC86	86	3.10 lbs.





Alex Fiore Teen Center Remodel Project

Item 32

**WATER HEATER**

**SEE ARCHITECTURAL / MECHANICAL PLANS  
FOR WATER HEATER SELECTED AND LOCATION**

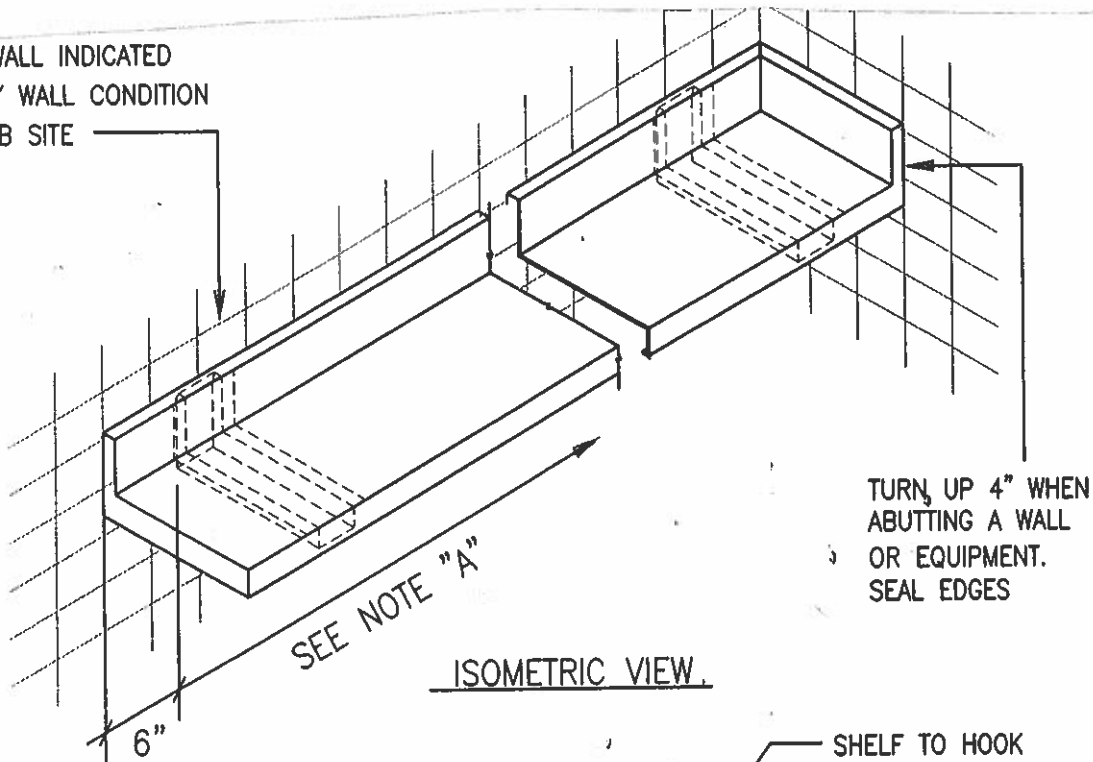
ITEM 33

WALL SHELF with CONCEALED BRACKETS

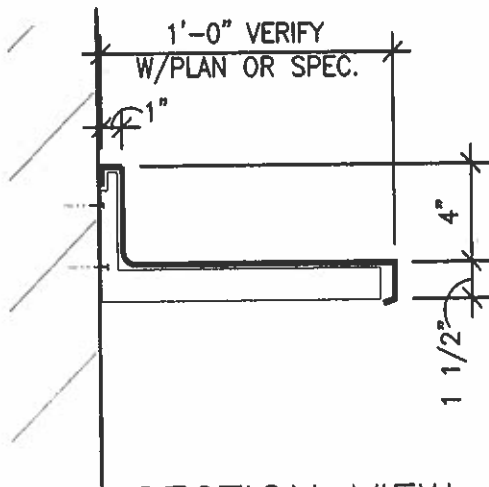
CUSTOM FABRICATION

- 3'-0" W x 1'-1"D, 4"H. Splash
- 18 Ga. Stainless Steel Shelf
- 14 GA Stainless Steel Brackets
- See Detail SD-1
- NSF Construction

TILE WALL INDICATED  
 VERIFY WALL CONDITION  
 AT JOB SITE

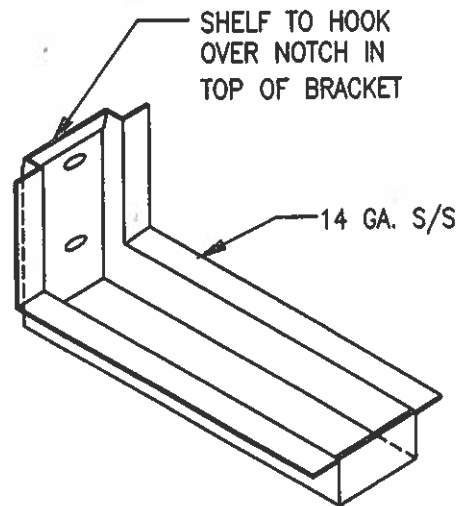


ISOMETRIC VIEW



SECTION VIEW

SCALE: 1 1/2"=1'-0"



ISOMETRIC BRACKET

NOTE "A"

MAXIMUM SPACING BETWEEN BRACKETS  
 NOT TO EXCEED 42", SECURE BRACKETS  
 TO WALL W/ A MIN. OF TWO-APPROPRIATE  
 FASTENERS TO SUPPORT HEAVY LOADS.

CONSULTANT:

FOODSERVICE DESIGN by JEAN  
 WWW.FSDKITCHENS.COM  
 (661) 444-1762  
 jrfsd@aol.com

DETAIL TITLE:

CONCEALED  
 WALL SHELF DETAIL

PROJECT:

N.S.F. CONSTRUCTION

NOT TO SCALE

DETAIL NO.:

SD-1

Item 34

SINGLE PANEL SLIDER

(1) ONE EA.

“READY ACCESS”  
SEE MECHANICAL SECTION

Item 34

SINGLE PANEL SLIDER

(1) ONE EA.

“READY ACCESS”

# 600 w/ Transom

- Options: Energy Saver Glass – Solarban 70XL, insulated
- Fully Automatic Electric
- Dimensions: 47 1/2"W x 59 1/2" H Frame Size,  
West Coast Service Restrictive Opening, 15”
- Electrical: 120V, 1PH, 15.0Amps, Dedicated Circuit
- ~~“BERNER” AIR CURTAIN # DTU03~~
- UL Listed

The 600 series Single Panel Slider with Attached Transom is specified by many multi-unit operators for its quality construction and adaptability to site-specific needs. The attached transom provides extra light and the flexibility to add integrated heated or non-heated air curtains to your design as dictated by the regional climate.

Choose the appropriate glass for your site:

**600 INSULATED** The 600 series comes standard with 3/4" insulated glass.

**600 ENERGY SAVER** Choose "Solarban 70XL Insulated Low-E" glass to maximize energy-efficiency and staff comfort. Estimated to save 33% on energy costs associated with the window. NFRC Rated.

**600 SECURITY** Choose "Lexan Level 1" or "Lexan Level 3" Bullet Resistance or "Smash & Grab" glass, and a security bar set for protection against forced entry.

Choose your mode of operation

◇ **MANUAL OPEN / SELF CLOSE**

Manual open, with patented hands-free gravity close. Economical and easy to maintain.

◇ **MANUAL OPEN / ELECTRONIC RELEASE (MOER)**

Electromagnetic "hold open" feature paired with a presence sensor offers the control of manual open with a gravity-fed close that won't release while interacting with customers. Hands free interaction that is easy to maintain.

◇ **ELECTRIC**

Fully automatic electric, for hands free open & close. Operator steps into overhead beam to activate.



### SIZE

Window Frame Size: 47 1/2"W x 43 1/2"H

Service Opening: 19"W x 35" H

Overall Frame Size with 16" Transom: 47.5"W x 59.5" H x 4.5" D

Rough Opening: 48" W x 60" H

Custom sizes available by request

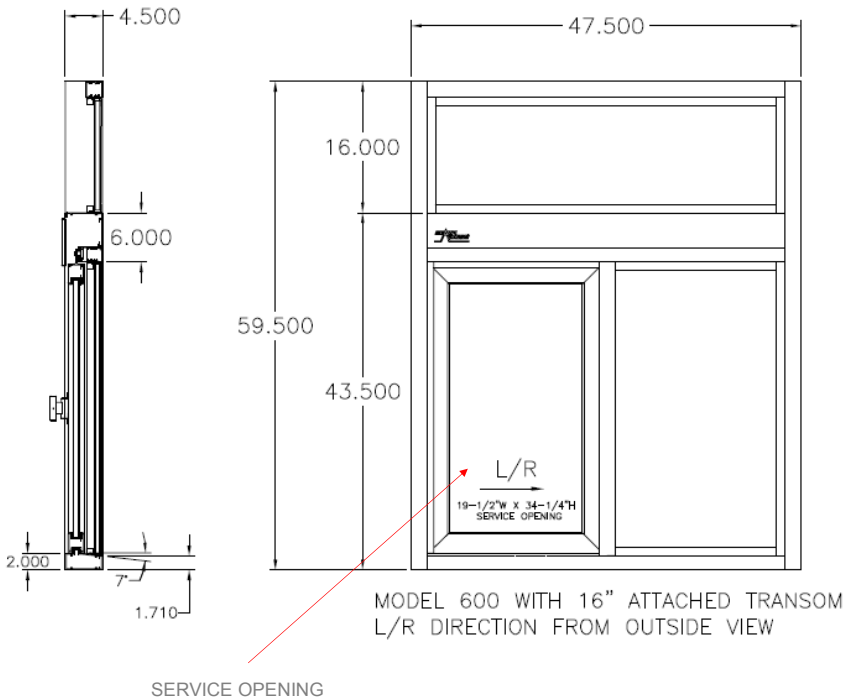
### STANDARD FEATURES:

- ◇ Anodized aluminum extrusions and stainless steel combine to give you an attractive window that will not rust, pit or weather
- ◇ Fully assembled, pre-glazed and ready to install
- ◇ 3/4" Insulated Glass
- ◇ Dark Bronze or Clear Anodized Aluminum
- ◇ Self latches every time it closes. Also includes a thumbturn lock, and night locking bar
- ◇ Track free bottom sill provides for a contaminant free surface. Angled toward outside for drainage toward exterior
- ◇ One year parts & labor limited warranty
- ◇ On-staff tech support / stocked parts / nationwide network of service providers.

### OPTIONAL FEATURES

Glazing:

- ◇ Solarban 70 XL Insulated Low E
- ◇ Smash & Grab
- ◇ Lexan Level 1 or Level 3
- ◇ Tinting
- ◇ Custom Size Window, Transom, or Sidelight(s)
- ◇ Powder Coat Paint—Tiger Drylac
- ◇ Stainless Steel Shelf to extend sill inside or out (13 ga.)
- ◇ Telescoping Night Time Security Bar Set for additional security
- ◇ AA300 Heated Air Curtain (replaces transom)
- ◇ Transom for AA100 Fly Fan
- ◇ Sidelight (1) 36"w x 59.5"h for overall 7'w x 5'h rough opening
- ◇ Sidelights (2) 18"w x 59.5"h for overall 7'w x 5'h rough opening



All windows are shipped completely pre-assembled, fully glazed, and ready to install.

Installation / Owners manual can be retrieved online:  
[www.ready-access.com](http://www.ready-access.com)

- ◇ Installation illustrations are for reference only. Construction conditions and local codes prevail.
- ◇ Must be installed level, square and plumb.
- ◇ Recommend approximately 36" from top of sill to interior finished floor (or per local code).
- ◇ 48" W x 60" H rough opening recommended for leveling.

### ELECTRIC REQUIREMENTS FOR WINDOW

Run power to header on fixed panel side.

**Manual Open / Electronic Release and Fully Automatic Electric:**  
 115 vac—60Hz with a 15 amp dedicated circuit

**Optional Air Curtain requires separate dedicated circuit**

**Manual Open / Self Close Window:**  
 No Power Required

### VARIATIONS WITH AIR CURTAINS

#### COLD CLIMATES

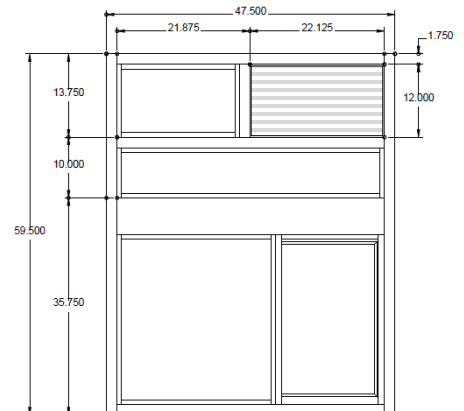
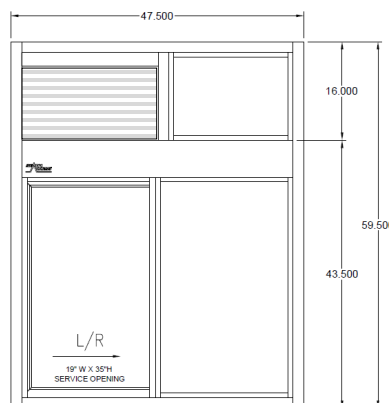
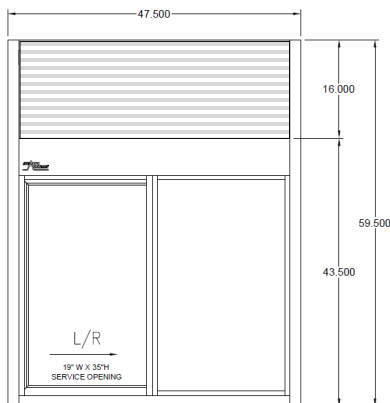
AA300 HEATED AIR CURTAIN  
 ILO TRANSOM

#### WARM CLIMATES

TRANSOM FOR AA100 FLY FAN  
 STANDARD SERVICE OPENING

#### WEST COAST

RESTRICTED SERVICE OPENING  
 TRANSOM FOR AA100 FLY FAN



ITEM 35

OUTDOOR SERVICE SHELF W/ BRACKETS  
(1) ONE EA.

CUSTOM FABRICATION

- Dimensions: 4'-0" W x 1'-0"D, 2" turn down all sides
- 14 Ga. Stainless Steel Heavy Duty Shelf
- 14 GA Stainless Steel Brackets
- NSF Construction



- END OF EQUIPMENT SUBMITTAL SECTION -