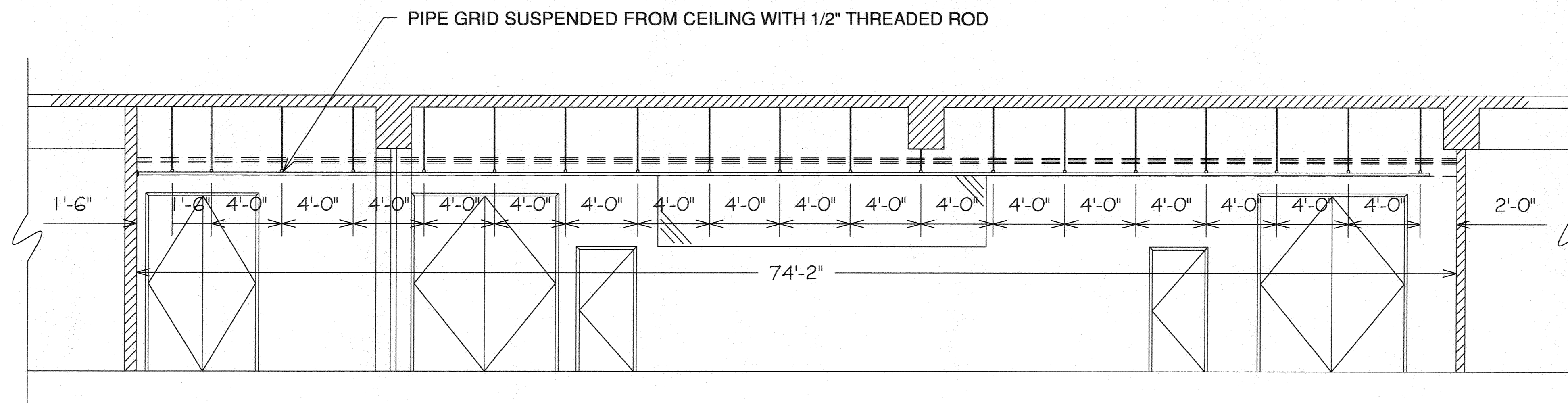


PIPE GRID SUSPENDED FROM CEILING WITH 1/2" THREADED ROD

SECTION C-C : BLACK BOX PICK LOCATIONS



PIPE GRID SUSPENDED FROM CEILING WITH 1/2" THREADED ROD

SECTION D-D : BLACK BOX PICK LOCATIONS

NOTES

- 1) ALL CONDUITS, HVAC DUCTS, PIPE, ETC SHALL BE MOUNTED NO LOWER THAN 13'-0" AFF. IT SHALL BE THE RESPONSIBILITY OF THE ORIGINAL INSTALLING CONTRACTOR TO MAKE ALL CORRECTIONS NECESSARY FOR ANY EQUIPMENT THAT INTERFERES WITH THE DESIGN OR PERFORMANCE INTENT OF THE BLACK BOX THEATER OR RECITAL HALL. THE COST OF ALL CORRECTIONS SHALL BE BORNE BY THE ORIGINAL INSTALLATION CONTRACTOR.
- 2) RIGGING CONTRACTOR SHALL LOCATE AND MARK ALL MOUNTING POINTS FOR THEATRICAL LIGHTING GRID IN BLACK BOX AND RECITAL HALL. ALL WORK BY OTHER CONTRACTOR SHALL LEAVE GRID MOUNTING POINTS CLEAR AND ACCESSIBLE.

General Notes

REV.	DESCRIPTION	DATE
2	REVISED PIPE GRID	2/04/02
1	REVISED PIPE GRID	1/24/02

LVH entertainment
SYSTEMS
300 IRVING DRIVE
OXNARD, CA 93030
PHONE: 805 278 4584 FAX: 805 278 7720

Project Name and Address
CITY OF THOUSAND OAKS
401 HILLCREST DRIVE
THOUSAND OAKS CA, 91382
BLACK BOX THEATRE

Drawn By H. SWEET	Sheet TR7.1
Date 12/12/01	
Scale 1/4" = 1'-0"	